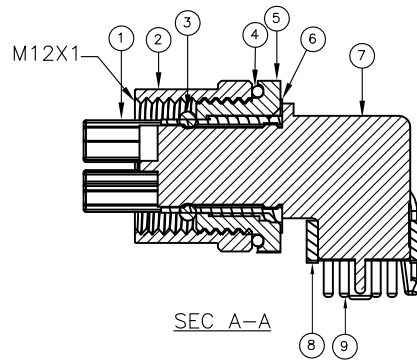
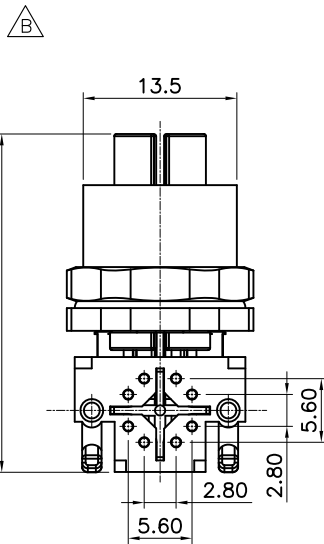
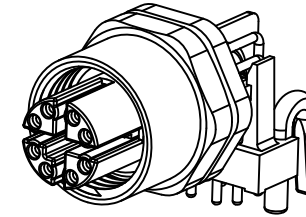
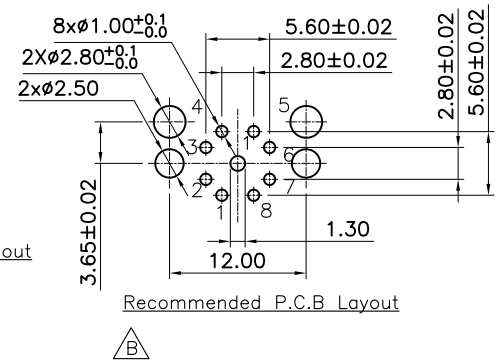
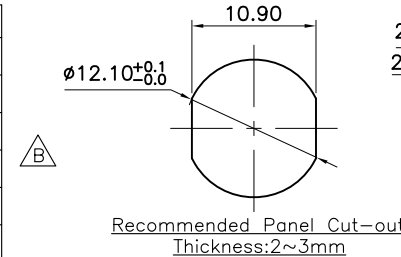


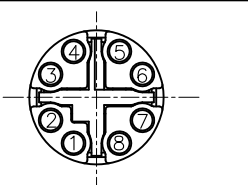
Specifications:
 Current Rating:0.5A
 Voltage Rating:DC:60V AC:50V
 Contact Resistance:15m ohm. Max.
 Insulation Resistance:100M ohm. Min.
 Withstanding Voltage:500V AC/Minute
 Operating Temperature Range:-25°C ~ +85°C
 Mechanical Performance
 Insertion/Withdrawal Meet IEC 61076-2-109 Requirements.
 Durability:500 Cycles Min.
 IP Rating:IP67 in locked condition



Item	Description	Material	Remark	Q'TY
1	Insulator	Nylon	Black	1
2	Shell	Brass	Nickel Plated	1
3	Seal ring	Silicone	Black	1
4	Seal ring	Silicone	Black	1
5	Shell	Zinc Alloy	Nickel Plated	1
6	Gasket	Stainless steel	Cleaning	1
7	Shielding	Zinc Alloy	Nickel Plated	1
8	Cover	PA66	Black	1
9	Terminal	Brass	Gold Plated 3u"	8



Pin Assignments Front View



RoHS Compliant

TOLERANCES ARE

MORETHANALL
 PCB CONNECTORS
 Cable ASSEMBLIES
 煜倫股份有限公司

DRAWING BY CY

CHECKED BY GENIUS

UNIT / mm SCALE 1 : 1

DATE

SIZE A4

X, ±
 .X ± 0.30
 .XX ± 0.20
 .XXX ±
 ANG ±

P PROJECTION

照片框

ORDER INFORMATION

M12-SRPBONLP-08X-LF
 SERIES | | | | | | | | | | LEADFREE
 | | | | | | | | | | X CODING
 FEMALE | | | | | | | | | | 08 WAY
 DIP 90° | | | | | | | | | | LOCK+POST
 PANEL BACK | | | | | | | | | | NUT
 | | | | | | | | | | O-RING

DESCRIPTION: M12 X CODE BOND BENDING TYPE SOCKET

www.morethanall.com