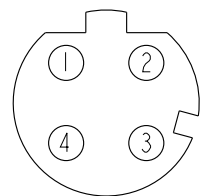
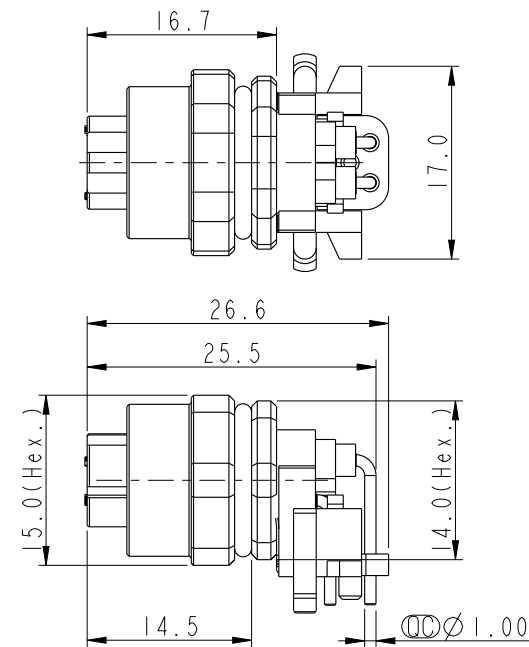
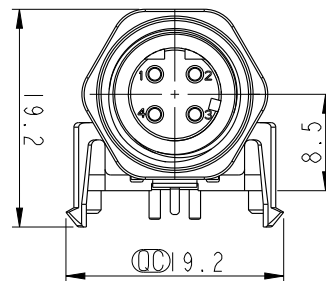
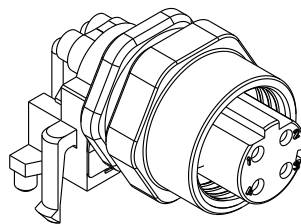
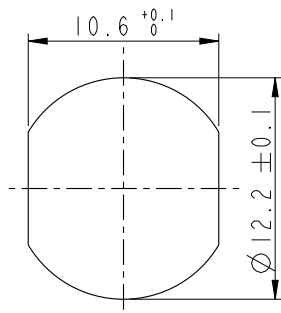


Recommended PCB Layout



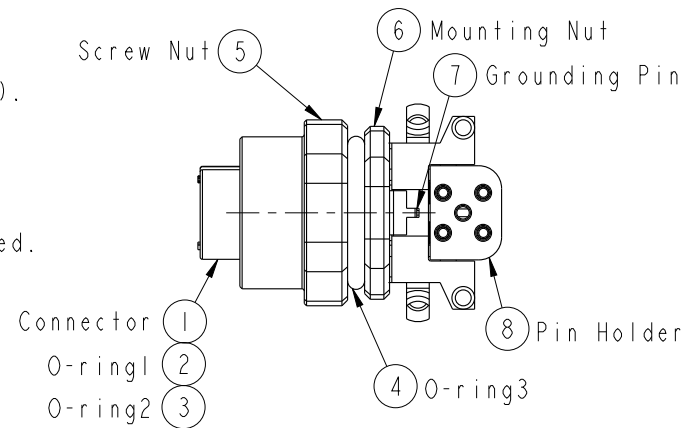
Conn.
Pin Assignments
Front View



Recommended
Panel Cut-Out

Note:

- * \varnothing Important Dimension To Check.
- * Waterproof Rating: IP67(Mated Waterproof).
- * Connector: PBT+PC, Black.
- * Female Pin: Copper Alloy, Gold Plated.
- * Mounting Nut: Zinc Alloy, Nickel Plated.
- * Screw Nut: Zinc Alloy, Nickel Plated.
- * Grounding Pin: Copper Alloy, Nickel Plated.
- * O-ring1: Silicon, Black.
- * O-ring2: Silicon, Gray.
- * O-ring3: Silicon, Gray.
- * Pin Holder: PBT+PC, Black.
- * For Panel Thickness Max. 3.0mm.
- * For PCB Thickness Max. 1.6mm.



- 1 Connector
- 2 O-ring1
- 3 O-ring2
- 4 O-ring3
- 5 Screw Nut
- 6 Mounting Nut
- 7 Grounding Pin
- 8 Pin Holder

RoHS Compliant

TOLERANCES ARE

MORETHANALL
PCB CONNECTORS
Cable ASSEMBLIES

煜倫股份有限公司

www.morethanall.com

DRAWING BY CY

CHECKED BY GENIUS

UNIT/mm SCALE 1:1

DATE

SIZE A4

X, ±
.X ± 0.25
.XX ± 0.10
.XXX ± 0.05
ANG ± 1°

PJECTION

照片框

ORDER INFORMATION

M12-SRPBONLP-04D-LF
SERIES | | | | LEADFREE
04 WAY/D CODE
LOCK+POST
FEMALE | | | | NUT
DIP 90° | | | | O-RING
PANEL BACK

DESCRIPTION: