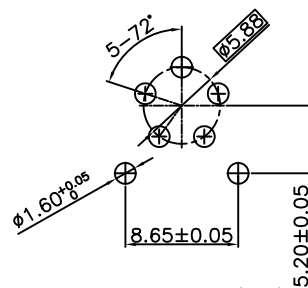
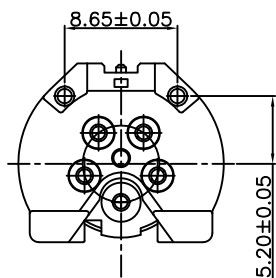
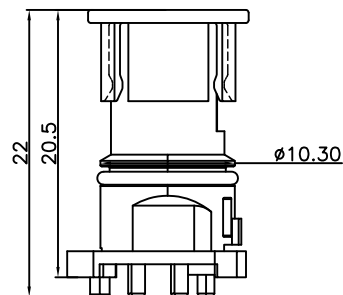
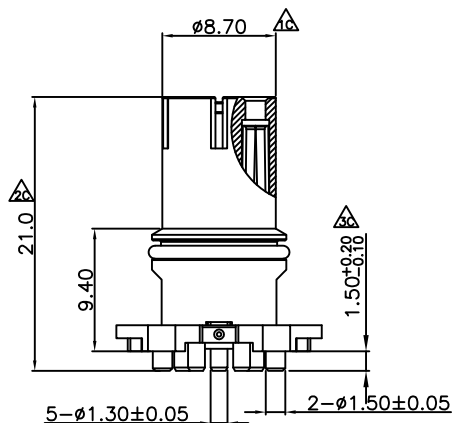
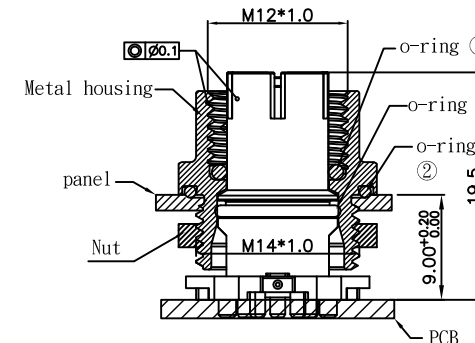
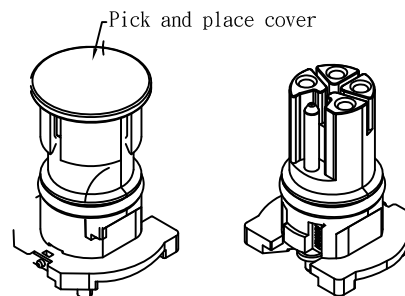


Pin assignment (front view)	L-code FE
	5-pos-SMT
Part number	M12-SDPC-05L

Installation recommendation



PCB LAYOUT (PIP)



- Material:
 - 1. Housing: High temp. Polyamide (PA4T+30%GF)
 - 2. Flammability rating UL 94V-0.(color black)
- 3. Contacts: Brass nickel -Plated and gold (30U")-plated
- 4. o-ring: VITON UL157 BLACK
- 5. Electrical Data: Rated Voltage: 63V
Rated Current: 16A
- 6. International Standards: IEC 61076-2-111

RoHS Compliant

TOLERANCES ARE



煜倫股份有限公司

www.morethanall.com

DRAWING BY CY

CHECKED BY GENIUS

UNIT / mm SCALE 1 : 1

DATE

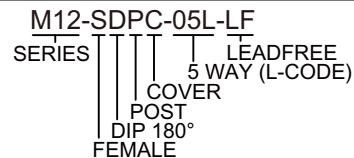
SIZE A4

X. ± 0.50
X. ± 0.38
.XX ± 0.25
.XXX ± 0.10
ANG ± 3°

P PROJECTION

照片框

ORDER INFORMATION



DESCRIPTION: M12 L Code SMT Female Connector