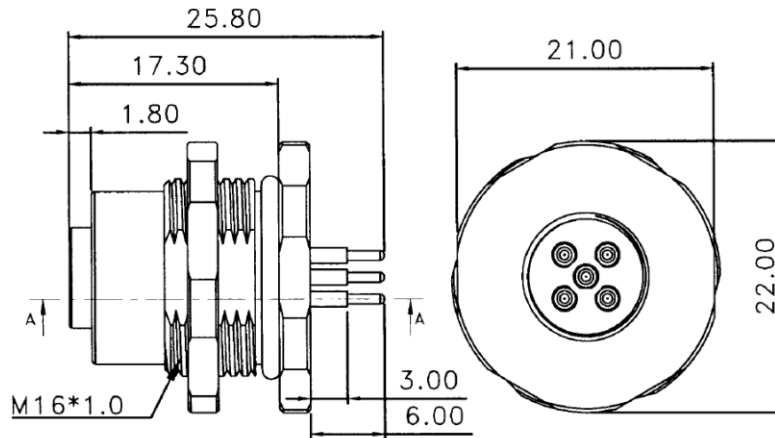
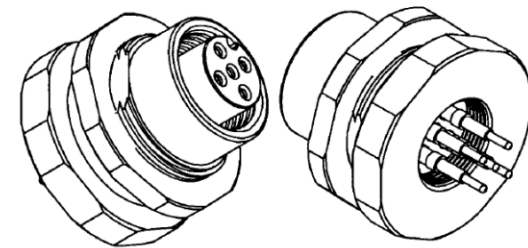
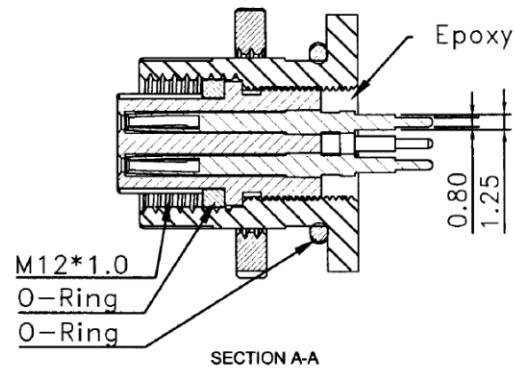
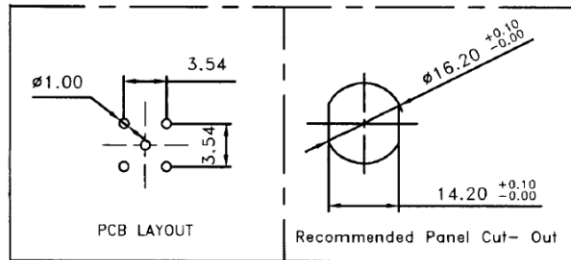


A-Code(4pin)

A-Code(5pin)



SPECIFICATION
MATERIAL
 Insulator: Thermal plastic, rated UL94V-0
 Contacts: Copper Alloy
 Contacts type: dip type
 metal parts : copper with Ni plating
 Contacts plating
 Underplate: 50u" MIN. Nickel
 Contact area: 1u" Gold
 Solder tails area: 1u" Gold
 General Data
 standard/Regulation: M12 connector IEC 61076-2-101
 coding: A-standard
 Number of position:4,5
 Current rating: 4 Amps max.
 Insulation resistance: 100 Mohms min @ 500 VDC
 Degree of protection: IP 67
 Temperature range: -20°C TO +85°C
 Mating cycles: 100 insertions



RoHS Compliant

TOLERANCES ARE

MORETHANALL
 PCB CONNECTORS
 Cable ASSEMBLIES

煜倫股份有限公司

www.morethanall.com

DRAWING BY CY

CHECKED BY GENIUS

UNIT / mm SCALE 1 : 1

DATE

SIZE A4

X. ± 0.50

.X ± 0.30

.XX ± 0.20

.XXX ±

ANG ± 5°

PPOJECTION

照片框

ORDER INFORMATION

M12-SDPBNO-xx-LF
 SERIES | | | | LEADFREE
 | | | | 04.05 WAY
 | | | | O-RING
 FEMALE | | | | NUT
 | | | | PANEL BACK
 | | | | DIP 180°

DESCRIPTION: