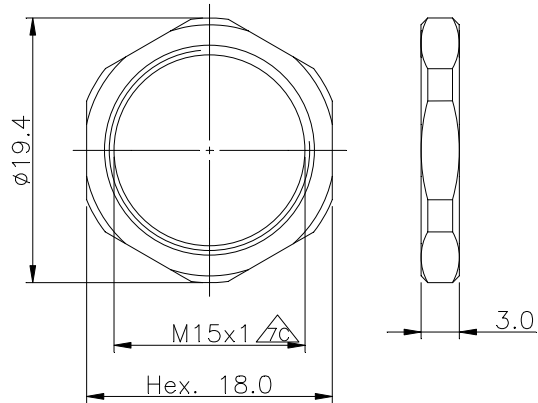
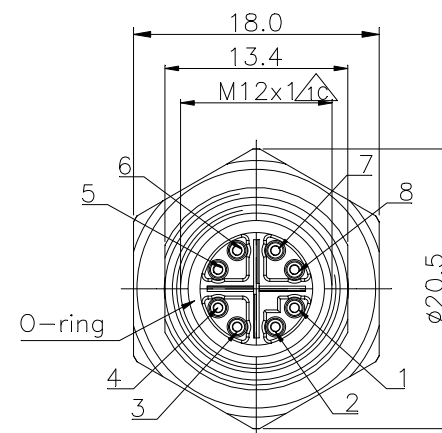
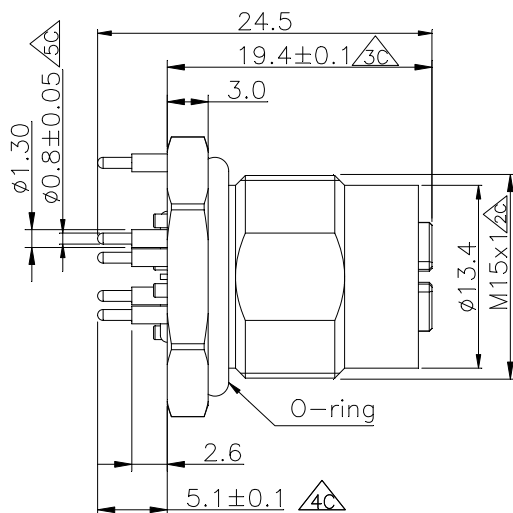
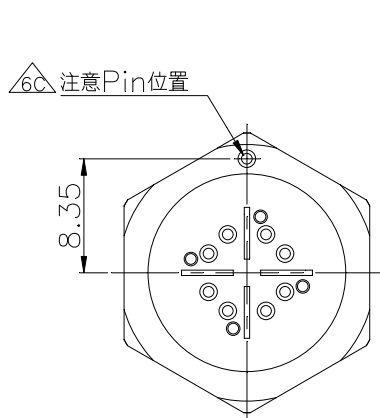


Panel Cut-Out  
Panel Thickness: 5.0mm Max. PCB Layout



Note:

1. Waterproof : IP68, Mated.
2. Nut Torque : 16~18kg-cm.
3. Rating Current : 0.5A.
4. Rating Voltage : 48V.



Inside O-Ring	NBR		1
Screw Nut	Brass	Nickel Ptd.	1
Glue			
Outside O-Ring	EPDM		1
Terminals	Brass	Gold Ptd.	8
Shell Cover	Brass	Nickel Ptd.	1
Housing	PA		1
Description	Material	Treat	Q'ty

RoHS Compliant

TOLERANCES ARE

**MORETHANALL**  
PCB CONNECTORS  
Cable ASSEMBLIES

煜倫股份有限公司

www.morethanall.com

DRAWING BY CY

CHECKED BY GENIUS

UNIT / mm SCALE 1 : 1

DATE

SIZE A4

X. ± 0.50

.X ± 0.38

.XX ± 0.25

.XXX ± 0.10

ANG ± 3°

PJECTION

照片框

ORDER INFORMATION

M12-SDPBNO-08X-LF  
SERIES | | | | LEADFREE  
| | | | X CODE  
FEMALE | | | | RING  
DIP 180° | | | | NUT  
| | | | PANEL BACK

DESCRIPTION: M12鍍(每)-8P-Dip(X-Code)