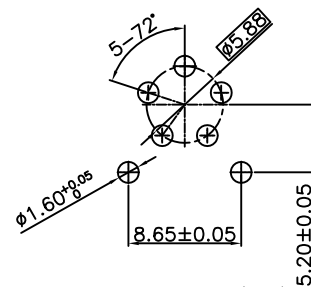
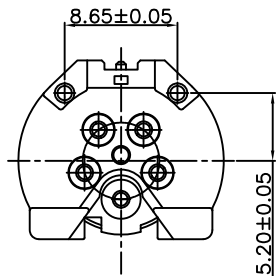
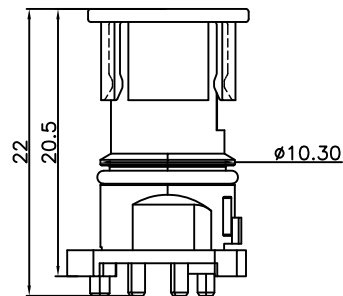
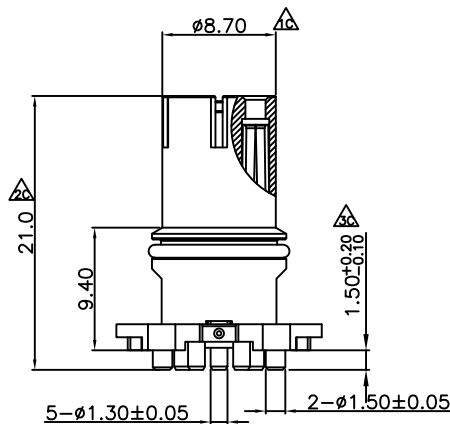
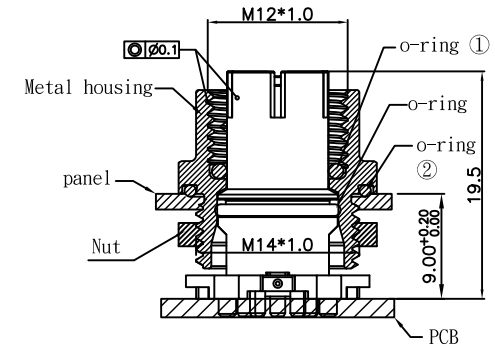
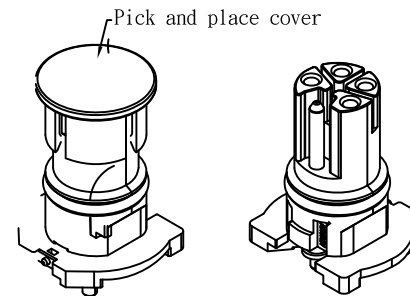


Pin assignment (front view)	L-code FE
	5-pos-SMT
Part number	M12-SDPBNC-05L

Installation recommendation



PCB LAYOUT (PIP)



- Material:
  - 1. Housing: High temp. Polyamide (PA4T+30%GF)
  - 2. Flammability rating UL 94V-0.(color black)
- Contacts: Brass nickel -Plated and gold (30U")-plated
- o-ring: VITON UL157 BLACK
- Electrical Data: Rated Voltage: 63V  
Rated Current: 16A
- International Standards: IEC 61076-2-111

RoHS Compliant

TOLERANCES ARE



煜倫股份有限公司

www.morethanall.com

DRAWING BY CY

CHECKED BY GENIUS

UNIT / mm SCALE 1 : 1

DATE

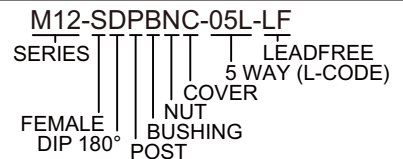
SIZE A4

X. ± 0.50  
X. ± 0.38  
.XX ± 0.25  
.XXX ± 0.10  
ANG ± 3°

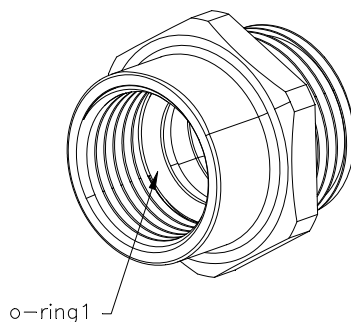
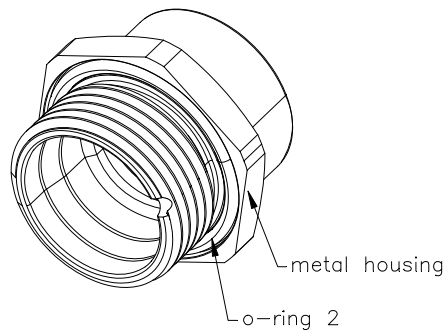
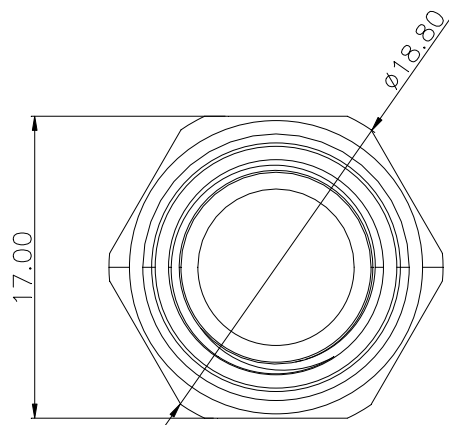
P PROJECTION

照片框

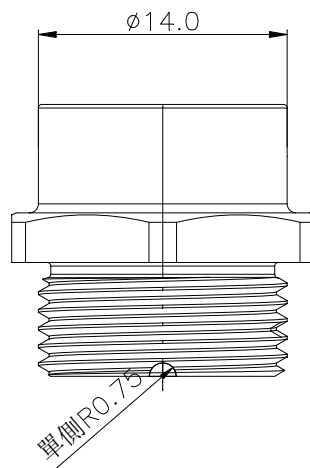
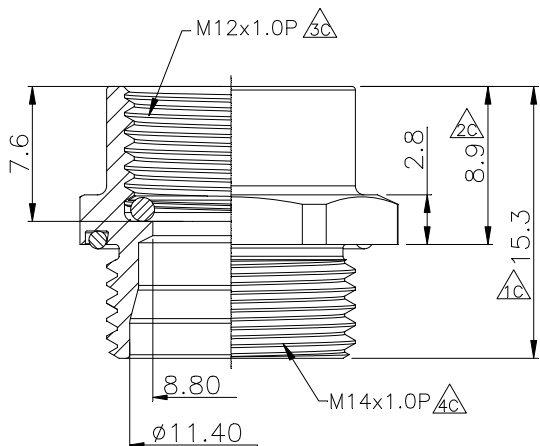
ORDER INFORMATION



DESCRIPTION: M12 L Code SMT Female Connector



metal housing: BRASS  
 o-ring1: NBR UL157 BLACK  
 o-ring2: NBR UL157 BLACK



RoHS Compliant

TOLERANCES ARE

**MORETHANALL**  
 PCB CONNECTORS  
 Cable ASSEMBLIES

煜倫股份有限公司

www.morethanall.com

DRAWING BY CY

CHECKED BY GENIUS

UNIT / mm SCALE 1 : 1

DATE

SIZE A4

X, ± 0.50  
 .X ± 0.38  
 .XX ± 0.25  
 .XXX ± 0.10  
 ANG ± 3°

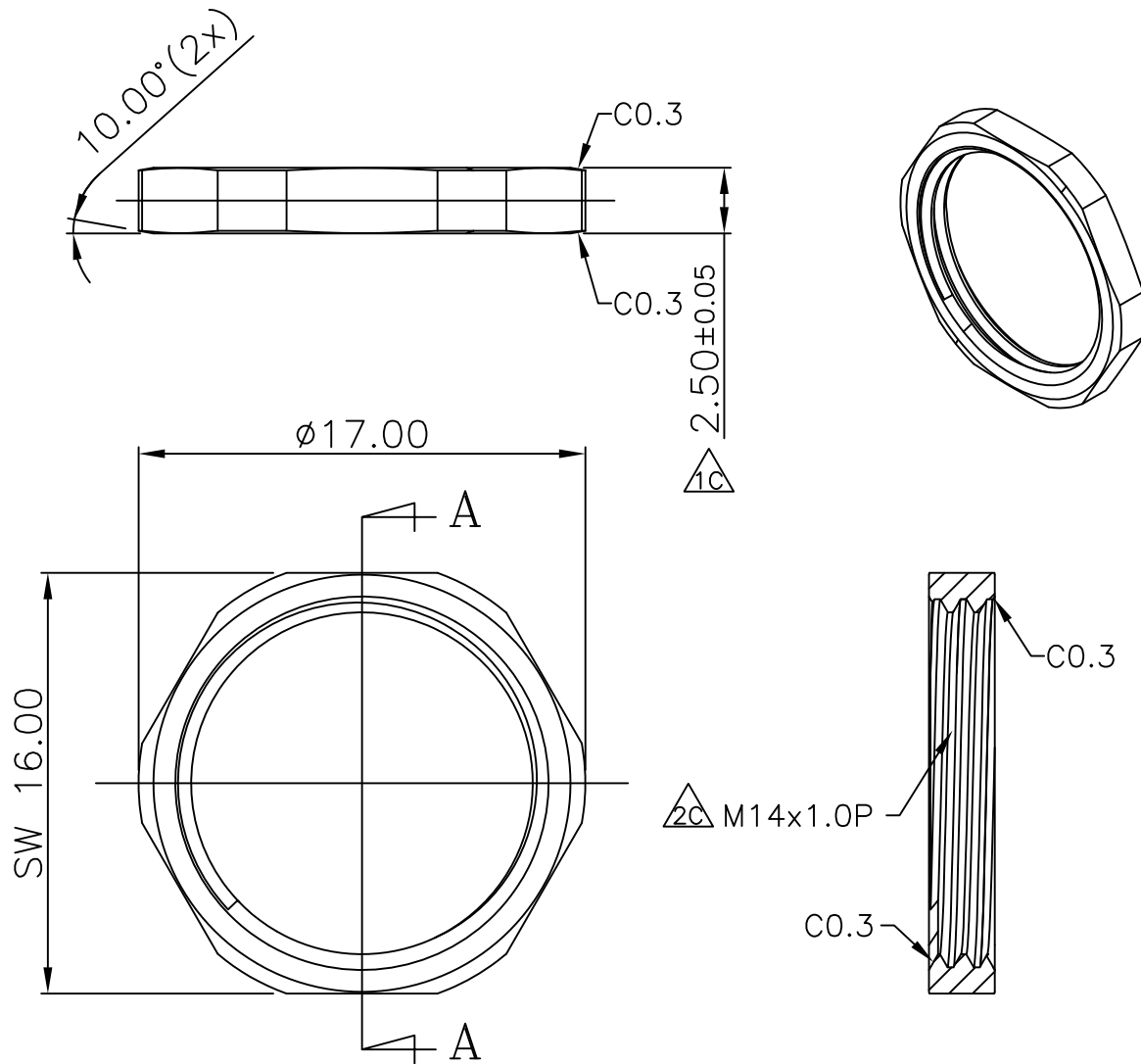
PPOJECTION

照片框

ORDER INFORMATION

M12-SDPBNC-05L-LF  
 SERIES | | | | LEADFREE  
 | | | | 5 WAY (L-CODE)  
 | | | | COVER  
 FEMALE | NUT  
 DIP 180° | BUSHING  
 | POST

DESCRIPTION: M12 L Code SMT 母頭 金屬外罩+ORING 外殼



Material: Brass JIS C6801  
 Plating: Ni 40u" min.  
 No sharp angles(全周無銳角)  
 螺牙以檢具判定

A-A section(1:1)

RoHS Compliant

TOLERANCES ARE

**MORETHANALL**  
 PCB CONNECTORS  
 Cable ASSEMBLIES

煜倫股份有限公司

www.morethanall.com

DRAWING BY CY

CHECKED BY GENIUS

UNIT / mm

SCALE 1:1

DATE

SIZE A4

X ± 0.50

.X ± 0.38

.XX ± 0.25

.XXX ± 0.10

ANG ± 3°

PPOJECTION

照片框

ORDER INFORMATION

M12-SDPBNC-05L-LF  
 SERIES | | | | | LEADFREE  
 | | | | | 5 WAY (L-CODE)  
 | | | | | COVER  
 FEMALE | | | | | NUT  
 DIP 180° | | | | | BUSHING  
 | | | | | POST

DESCRIPTION: M12 female connector 螺帽