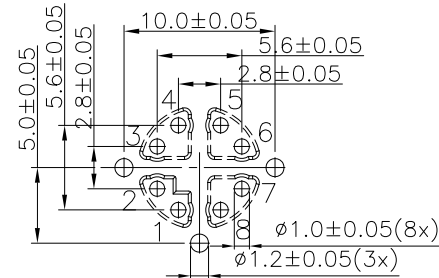
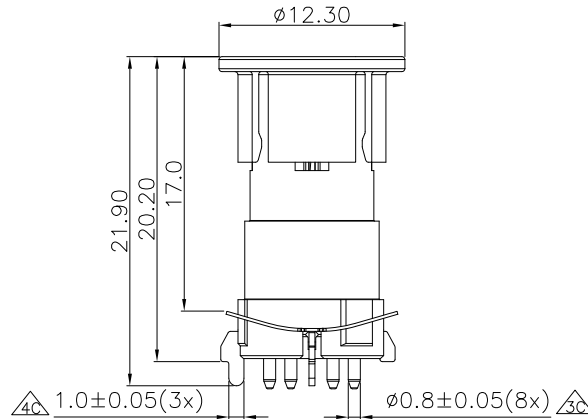
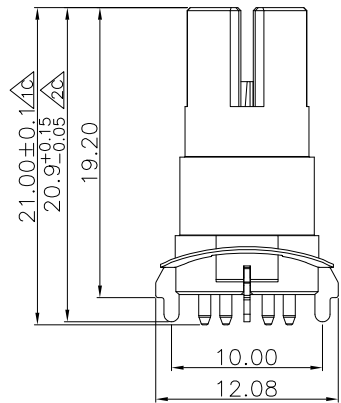
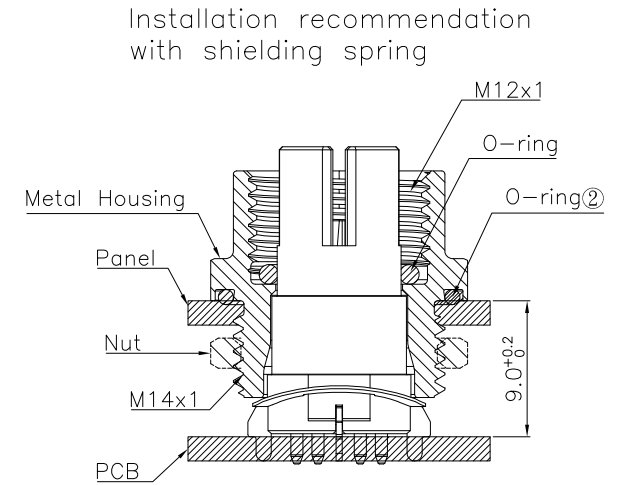
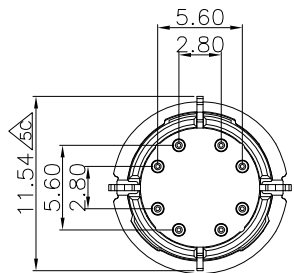
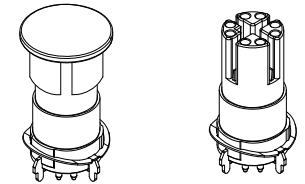


	X-code
Pin assignment (front view)	
	8 pos.
Part number	M12-SDPAONC-08X



PCB Layout (PIP)



Note:

- Housing: High temp. Polyamide (PA4T+30%GF)
Flammability rating UL 94V-0.(color black)
- Contacts: Phosphor bronze.
- Clips: Stainless.
- Plating: Gold(30u") plating over nickel in contact,matte tin over nickel in soldering.

RoHS Compliant

TOLERANCES ARE

MORETHANALL
PCB CONNECTORS
Cable ASSEMBLIES

煜倫股份有限公司

www.morethanall.com

DRAWING BY CY

CHECKED BY GENIUS

UNIT / mm SCALE 1 : 1

DATE

SIZE A4

X. ± 0.50
.X ± 0.38
.XX ± 0.25
.XXX ± 0.10
ANG ± 3°

PJECTION

照片框

ORDER INFORMATION

M12-SDPAONC-08X-LF
SERIES | | | | | | | | LEADFREE
FEMALE | | | | | | | | 08 WAY/ X-CODE
DIP 180° | | | | | | | | COVER
O-RING
NUT
PANEL FRONT

DESCRIPTION: