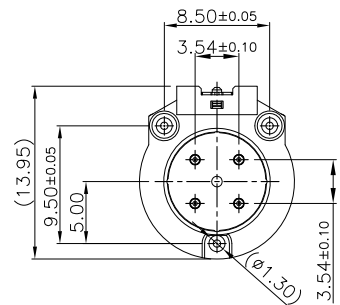
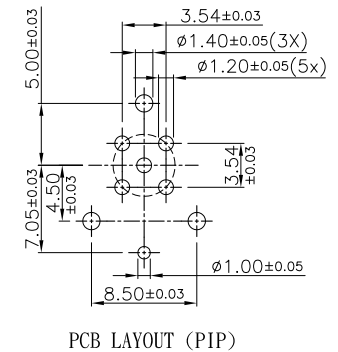
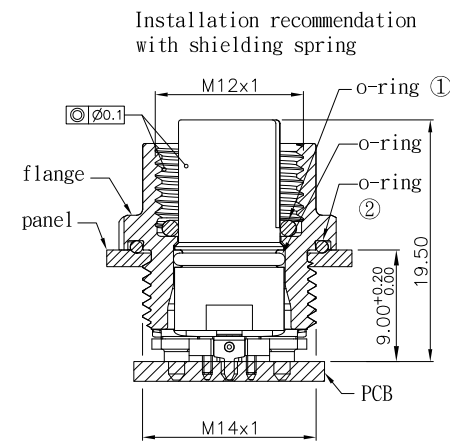
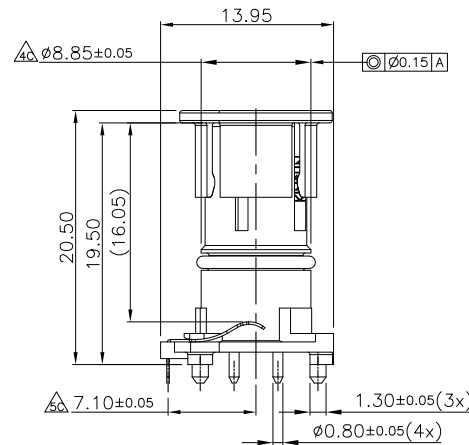
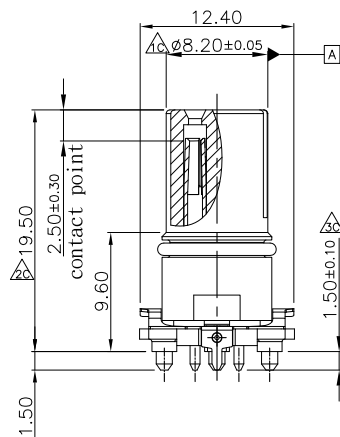
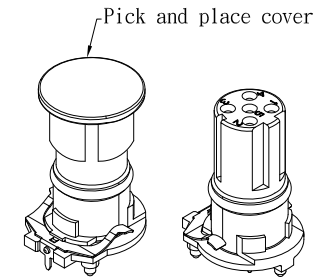


Pin assignment (front view)	A-code	D-code
	5-pos.	4-pos.
Part number	M12-SDPAOC-05	M12-SDPAOC-04D

Options	Part number	Note
Flange		
O ring ①		cable side
O ring ②		panel side



Housing: High temp. Polyamide (PA4T+30%GF)
 Flammability rating UL 94V-0.(color black)
 Contacts: Phosphor bronze
 Clips: Stainless
 Plating: Gold(30u") plating over nickel in contact, matte tin over nickel in soldering.

RoHS Compliant

TOLERANCES ARE

照片框

ORDER INFORMATION

M12-SDPAOC-xx-LF
 SERIES | | | LEADFREE
 | | | 04D D-CODE
 | | | 05 WAY
 FEMALE | | COVER
 DIP 180° | | O-RING
 | | | PANEL FRONT

MORETHANALL
 PCB CONNECTORS
 Cable ASSEMBLIES
 焯倫股份有限公司

www.morethanall.com

DRAWING BY CY

CHECKED BY GENIUS

UNIT / mm SCALE 1 : 1

DATE

SIZE A4

X. ± 0.50

.X ± 0.38

.XX ± 0.25

.XXX ± 0.10

ANG ± 3°

PPOJECTION

DESCRIPTION: M12 female connector