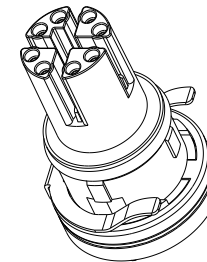
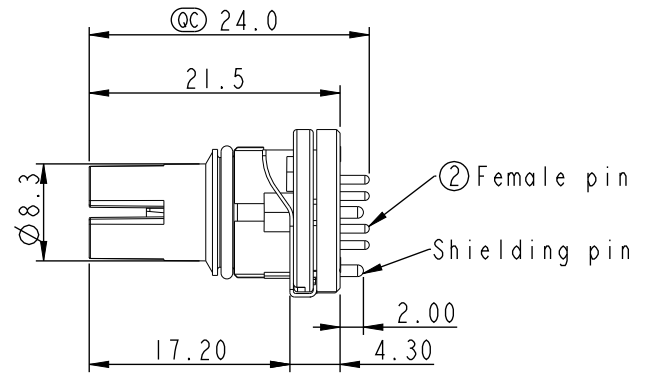
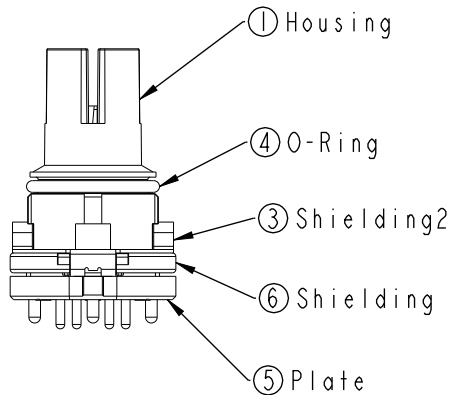


Front View



- Notes:
 Material:
- ① Housing: Nylon+GF, Black.
 - ② Female Pin: Copper Alloy, Gold Plated.
 - ③ Shielding 2: Copper Alloy, Nickel Plated.
 - ④ O-Ring: Silicone, Black.
 - ⑤ Plate: LCP, Black.
 - ⑥ Shielding: Zinc Alloy, Tin Plate

Electrical Characteristics:
 * Current rating: 0.5A
 * Voltage rating: 60V AC/DC

RoHS Compliant

TOLERANCES ARE

MORETHANALL
 PCB CONNECTORS
 Cable ASSEMBLIES

煜倫股份有限公司

www.morethanall.com

DRAWING BY CY

CHECKED BY GENIUS

UNIT / mm

SCALE 1:1

DATE

SIZE A4

PJECTION

X, \pm
 .X ± 0.25
 .XX ± 0.10
 .XXX ± 0.05
 ANG $\pm 1^\circ$

照片框

ORDER INFORMATION

M12-SDP3-08X-LF
 SERIES | LEADFREE
 | 08 WAY X CODE
 | POST X3
 | DIP 180°
 | FEMALE

DESCRIPTION: M12 X-CODE 8P FEMALE FOR DIP TYPE