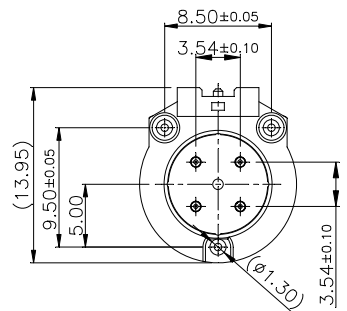
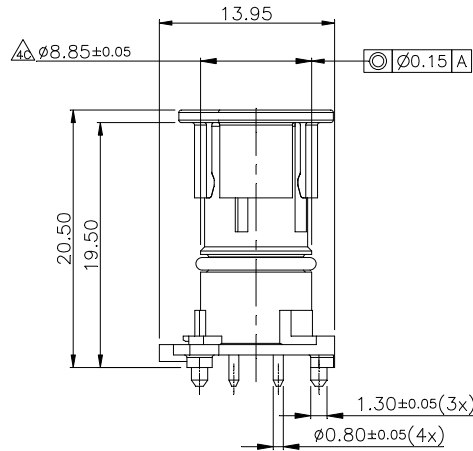
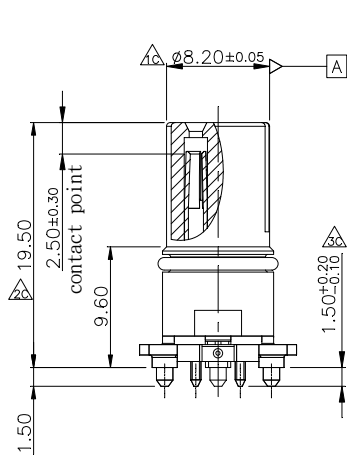
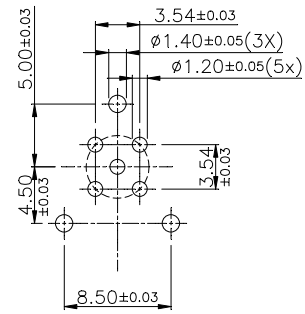
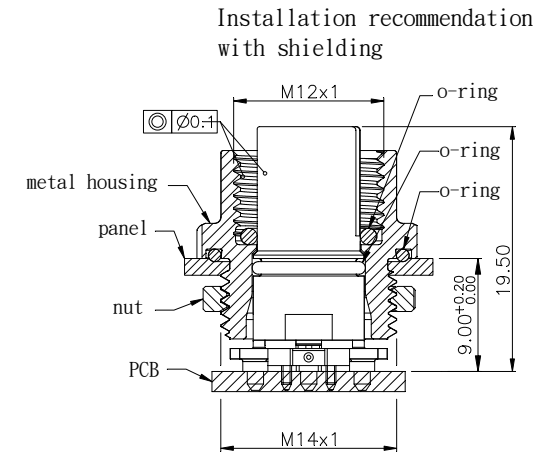


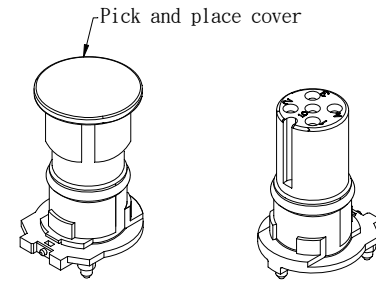
Pin assignment (front view)	A-code
Part number	M12-SDMPC-05



Recommended P.C.B Layout



PCB LAYOUT (PIP)



Housing: High temp. Polyamide (PA4T+30%GF)
 Flammability rating UL 94V-0.(color black)
 Contacts: Phosphor bronze ; Plating Gold(30u") over nickel in contact,
 matte tin over nickel in soldering.
 O-ring:Viton UL157,black
 International standard:IEC 61076-2-101

RoHS Compliant

TOLERANCES ARE

MORETHANALL
 PCB CONNECTORS
 Cable ASSEMBLIES

DRAWING BY CY

X. ± 0.50

CHECKED BY GENIUS

.X ± 0.38

UNIT / mm

SCALE 1 : 1

.XX ± 0.25

DATE

.XXX ± 0.10

ANG ± 3°

煜倫股份有限公司

www.morethanall.com

SIZE A4

PJECTION

照片框

ORDER INFORMATION

M12-SDMPC-05-LF
 SERIES | | | | LEADFREE
 5 WAY
 COVER
 POST
 FEMALE METAL FOOT
 DIP 180°

DESCRIPTION: M12 female connector