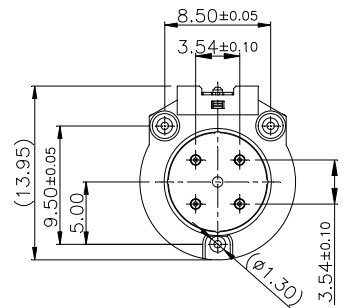
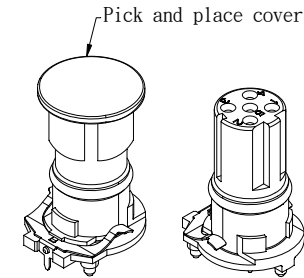
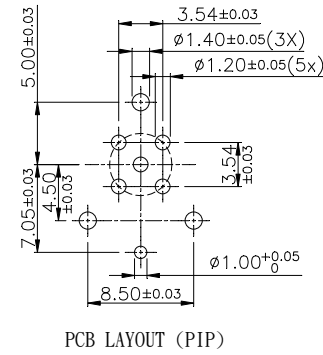
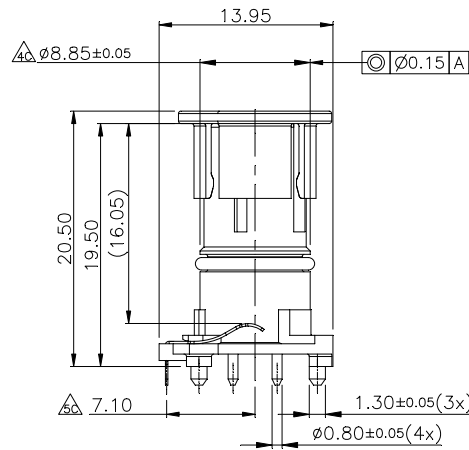
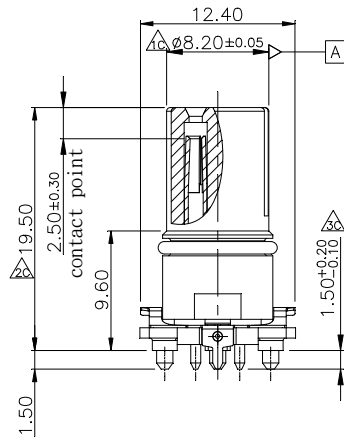
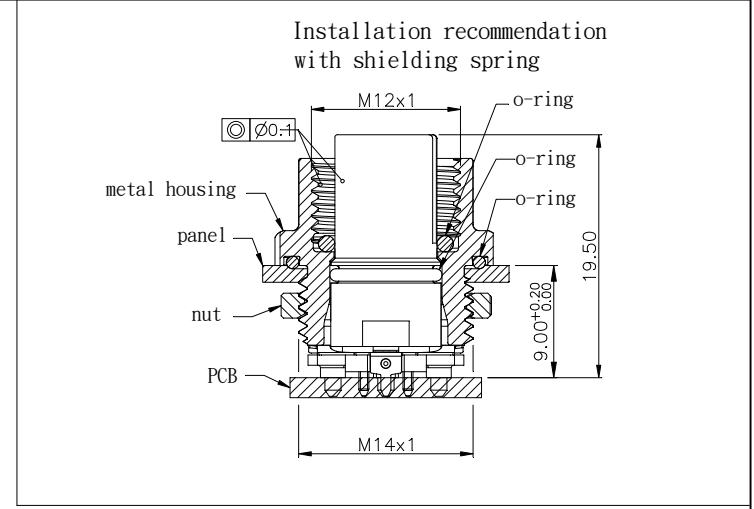


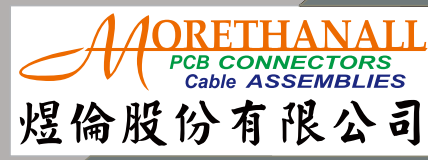
Pin assignment (front view)	D-code 
Part number	M12-SDMPC-04D



Housing: High temp. Polyamide (PA4T+30%GF)  
 Flammability rating UL 94V-0.(color black)  
 Contacts: Phosphor bronze ; Plating Gold(30u") over nickel in contact, matte tin over nickel in soldering.  
 Clips: Stainless  
 O-ring:Viton UL157,black  
 International standard:IEC 61076-2-101

**RoHS Compliant**

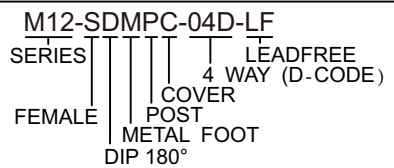
TOLERANCES ARE



DRAWING BY	CY	X ± 0.50
CHECKED BY	GENIUS	.X ± 0.38
UNIT / mm	SCALE 1 : 1	.XX ± 0.25
DATE		.XXX ± 0.10
		ANG ± 3°

照片框

**ORDER INFORMATION**



www.morethanall.com

SIZE A4 PPROJECTION

DESCRIPTION: M12 female connector