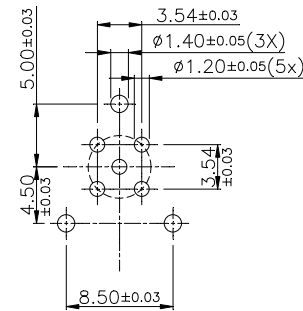
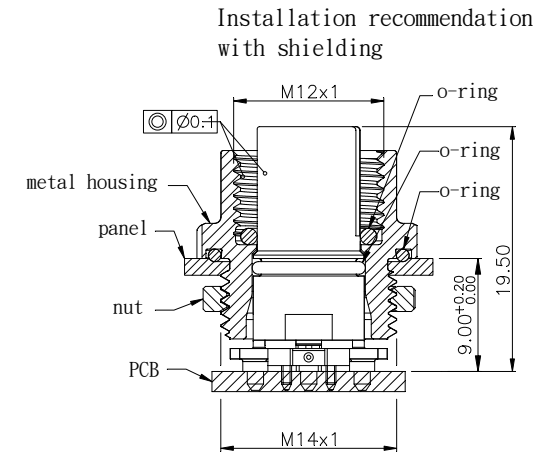
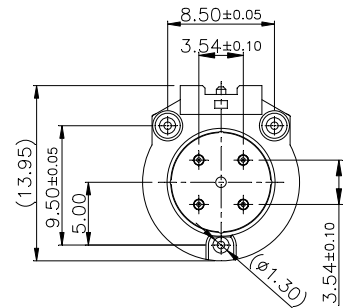
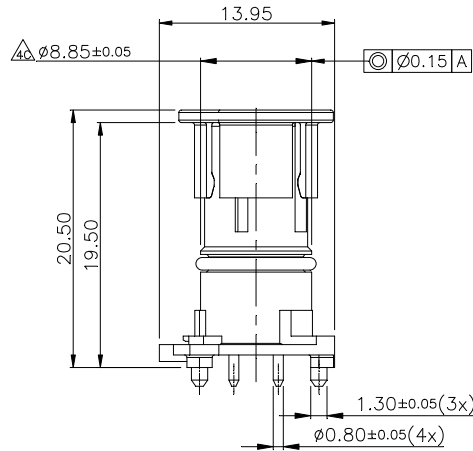
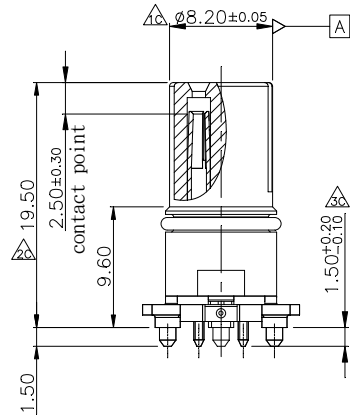
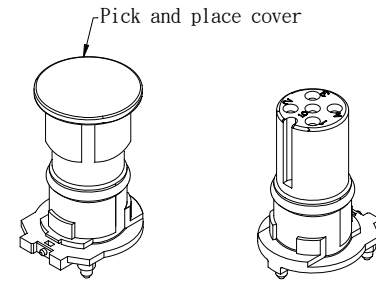


Pin assignment (front view)	A-code
Part number	M12-SDMPBNC-05



PCB LAYOUT (PIP)



Housing: High temp. Polyamide (PA4T+30%GF)
 Flammability rating UL 94V-0.(color black)
 Contacts: Phosphor bronze ; Plating Gold(30u") over nickel in contact,
 matte tin over nickel in soldering.
 O-ring:Viton UL157,black
 International standard:IEC 61076-2-101

RoHS Compliant

TOLERANCES ARE

MORETHANALL
 PCB CONNECTORS
 Cable ASSEMBLIES

DRAWING BY	CY	X. ± 0.50
CHECKED BY	GENIUS	.X ± 0.38
UNIT / mm	SCALE 1 : 1	.XX ± 0.25
DATE		.XXX ± 0.10
		ANG ± 3°

照片框

ORDER INFORMATION

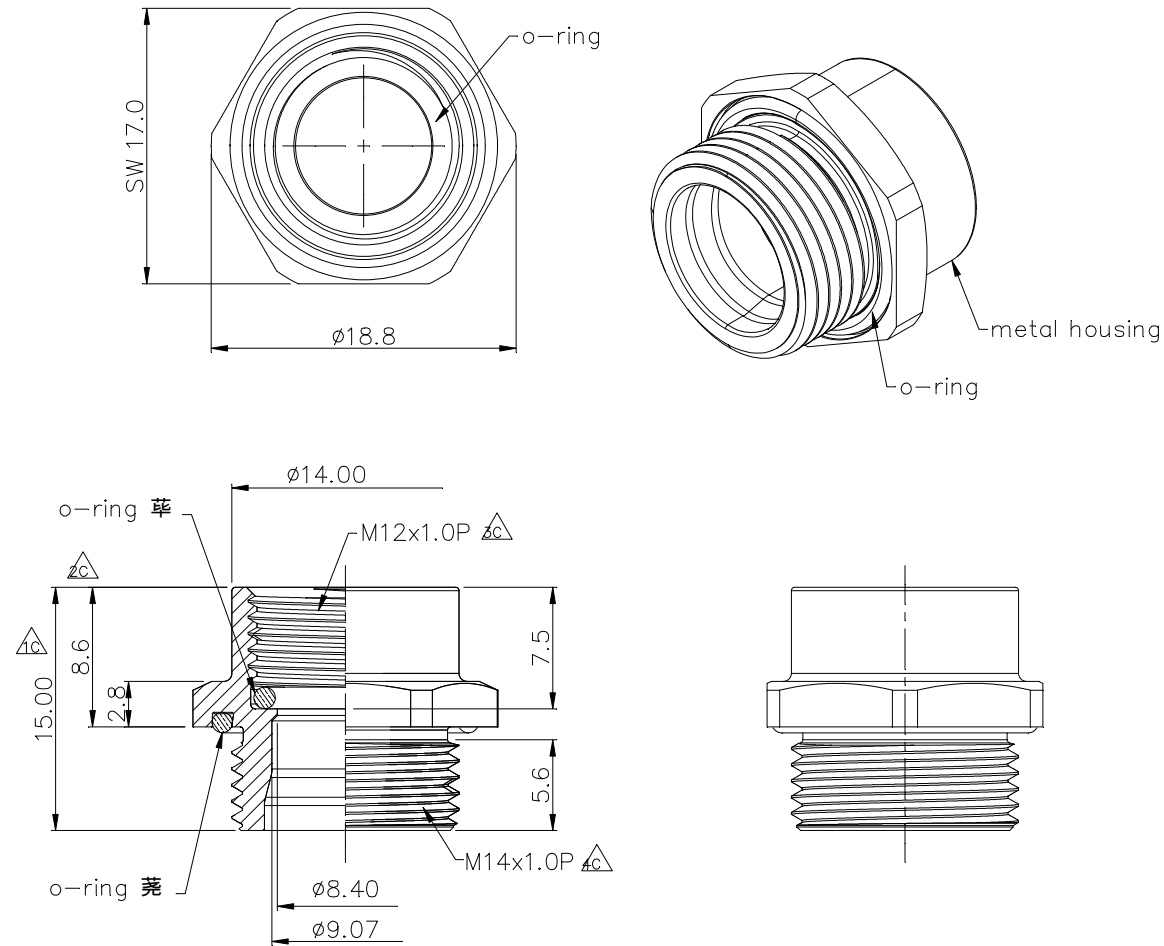


煜倫股份有限公司

www.morethanall.com

SIZE A4 PPROJECTION

DESCRIPTION: M12 female connector



metal housing: Brass JIS C6801, plating Ni 40u"min.

o-ring ①: NBR UL157' black

o-ring ②: NBR UL157' black

螺牙以檢具判定

RoHS Compliant

TOLERANCES ARE

MORETHANALL
PCB CONNECTORS
Cable ASSEMBLIES

煜倫股份有限公司

www.morethanall.com

DRAWING BY CY

CHECKED BY GENIUS

UNIT / mm SCALE 1 : 1

DATE

SIZE A4

X, ± 0.50

.X, ± 0.38

.XX, ± 0.25

.XXX, ± 0.10

ANG ± 3°

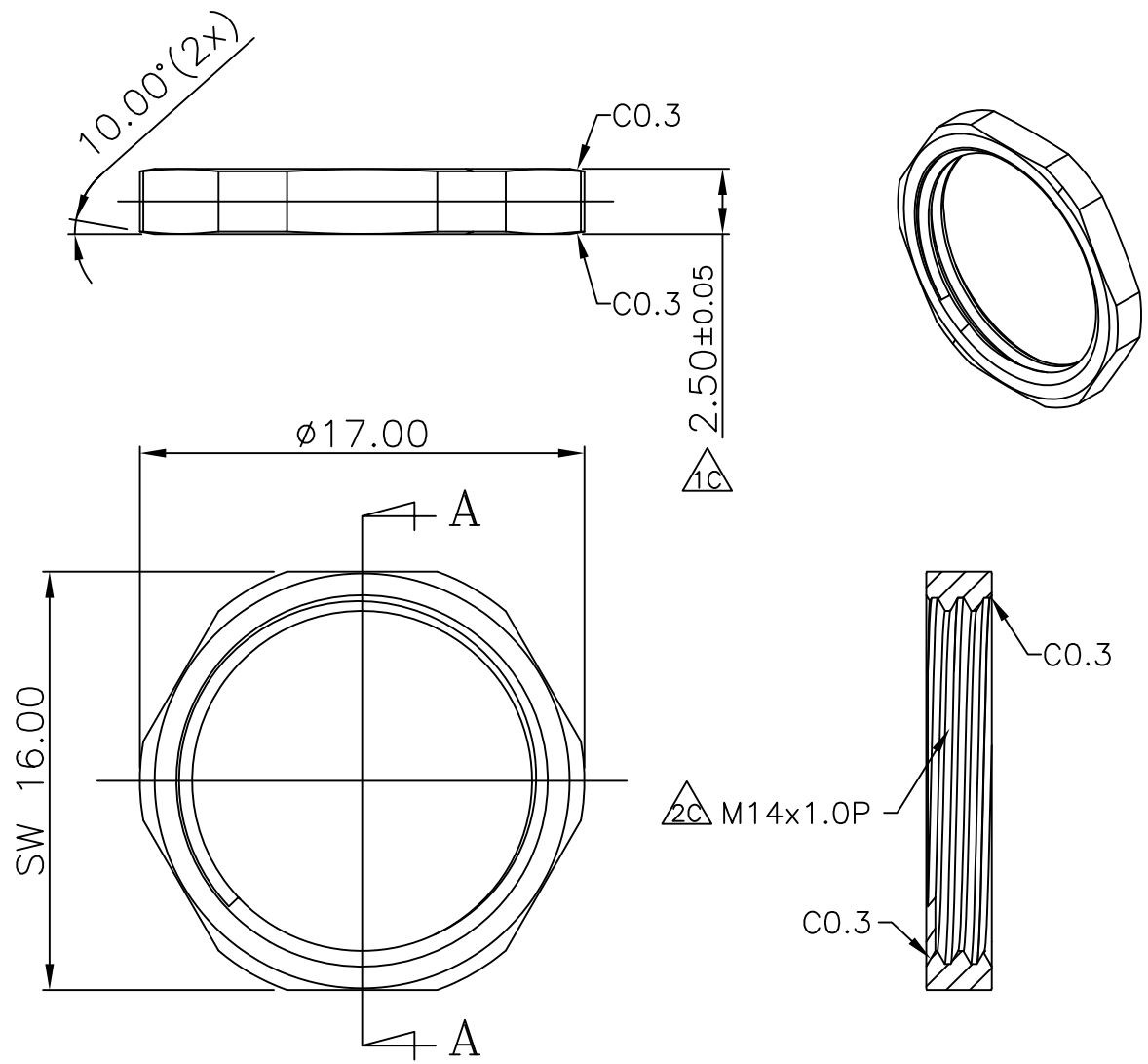
PPOJECTION

照片框

ORDER INFORMATION

M12-SDMPBNC-05-LF
SERIES | | | | | LEADFREE
5 WAY
COVER
NUT
FEMALE BUSHING
DIP 180° POST
METAL FOOT

DESCRIPTION: M12 female connector 外膽



Material: Brass JIS C6801
 Plating: Ni 40u" min.
 No sharp angles(全周無銳角)
 螺牙以檢具判定

A-A section(1:1)

RoHS Compliant

TOLERANCES ARE



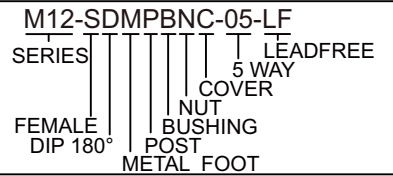
煜倫股份有限公司

www.morethanall.com

DRAWING BY CY		X. ± 0.50
CHECKED BY GENIUS		.X ± 0.38
UNIT / mm	SCALE 1 : 1	.XX ± 0.25
DATE		.XXX ± 0.10
SIZE A4	PPOJECTION	ANG ± 3°



ORDER INFORMATION



DESCRIPTION: M12 female connector 螺帽