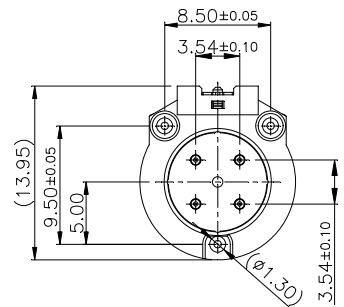
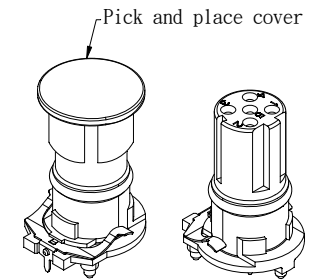
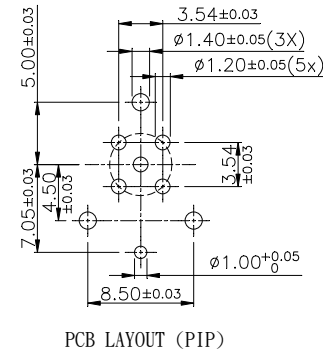
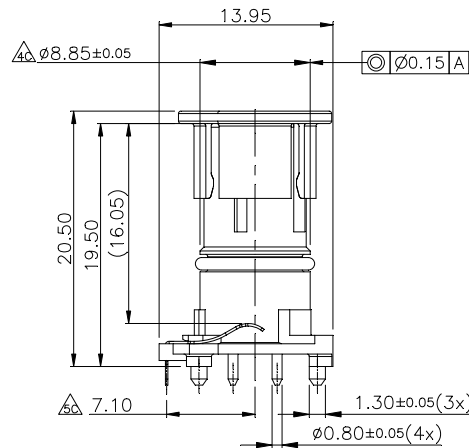
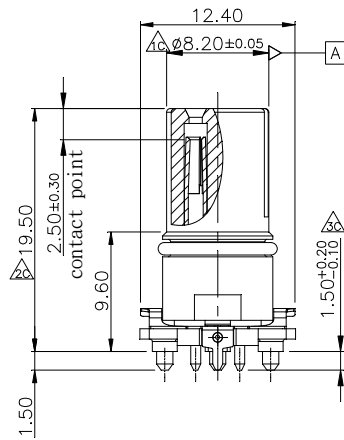
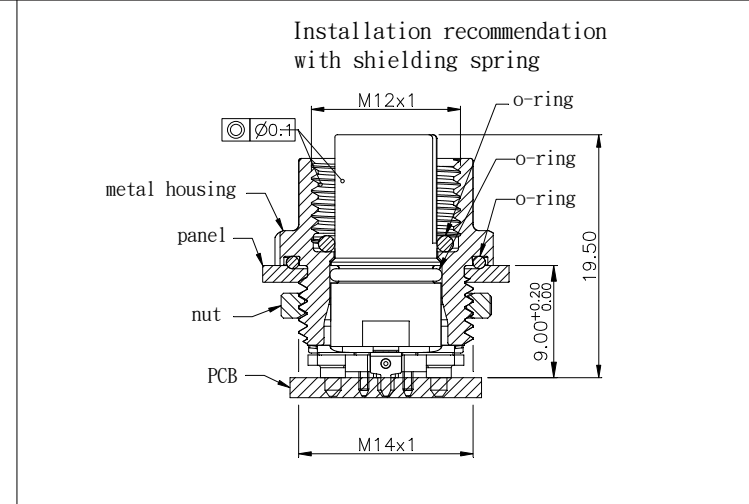


Pin assignment (front view)	D-code 
Part number	M12-SDMPBNC-04D



Housing: High temp. Polyamide (PA4T+30%GF)  
 Flammability rating UL 94V-0.(color black)  
 Contacts: Phosphor bronze ; Plating Gold(30u") over nickel in contact, matte tin over nickel in soldering.  
 Clips: Stainless  
 O-ring:Viton UL157,black  
 International standard:IEC 61076-2-101

RoHS Compliant

TOLERANCES ARE



煜倫股份有限公司

www.morethanall.com

DRAWING BY CY

CHECKED BY GENIUS

UNIT / mm

SCALE 1 : 1

DATE

SIZE A4

X ± 0.50

.X ± 0.38

.XX ± 0.25

.XXX ± 0.10

ANG ± 3°

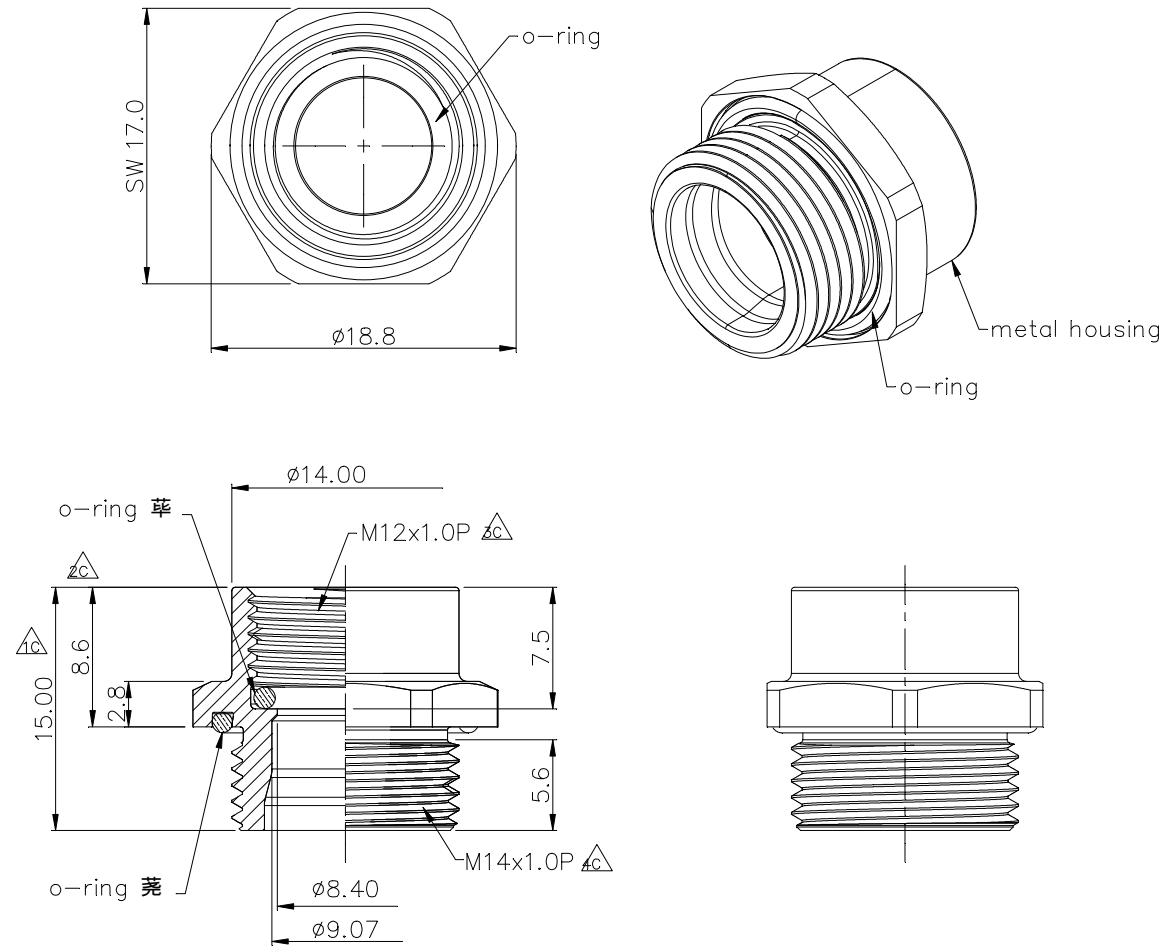
PJECTION

照片框

ORDER INFORMATION

M12-SDMPBNC-04D-LF  
 SERIES | | | | | LEADFREE  
 | | | | | 4 WAY (D-CODE)  
 FEMALE | | | | | COVER  
 DIP 180° | | | | | NUT  
 METAL FOOT | | | | | BUSHING  
 POST

DESCRIPTION: M12 female connector



metal housing: Brass JIS C6801, plating Ni 40u"min.

o-ring ①: NBR UL157' black

o-ring ②: NBR UL157' black

螺牙以檢具判定

**RoHS Compliant**

TOLERANCES ARE

**MORETHANALL**  
PCB CONNECTORS  
Cable ASSEMBLIES

煜倫股份有限公司

www.morethanall.com

DRAWING BY CY

CHECKED BY GENIUS

UNIT / mm SCALE 1 : 1

DATE

SIZE A4

X, ± 0.50  
X, ± 0.38  
.XX ± 0.25  
.XXX ± 0.10  
ANG ± 3°

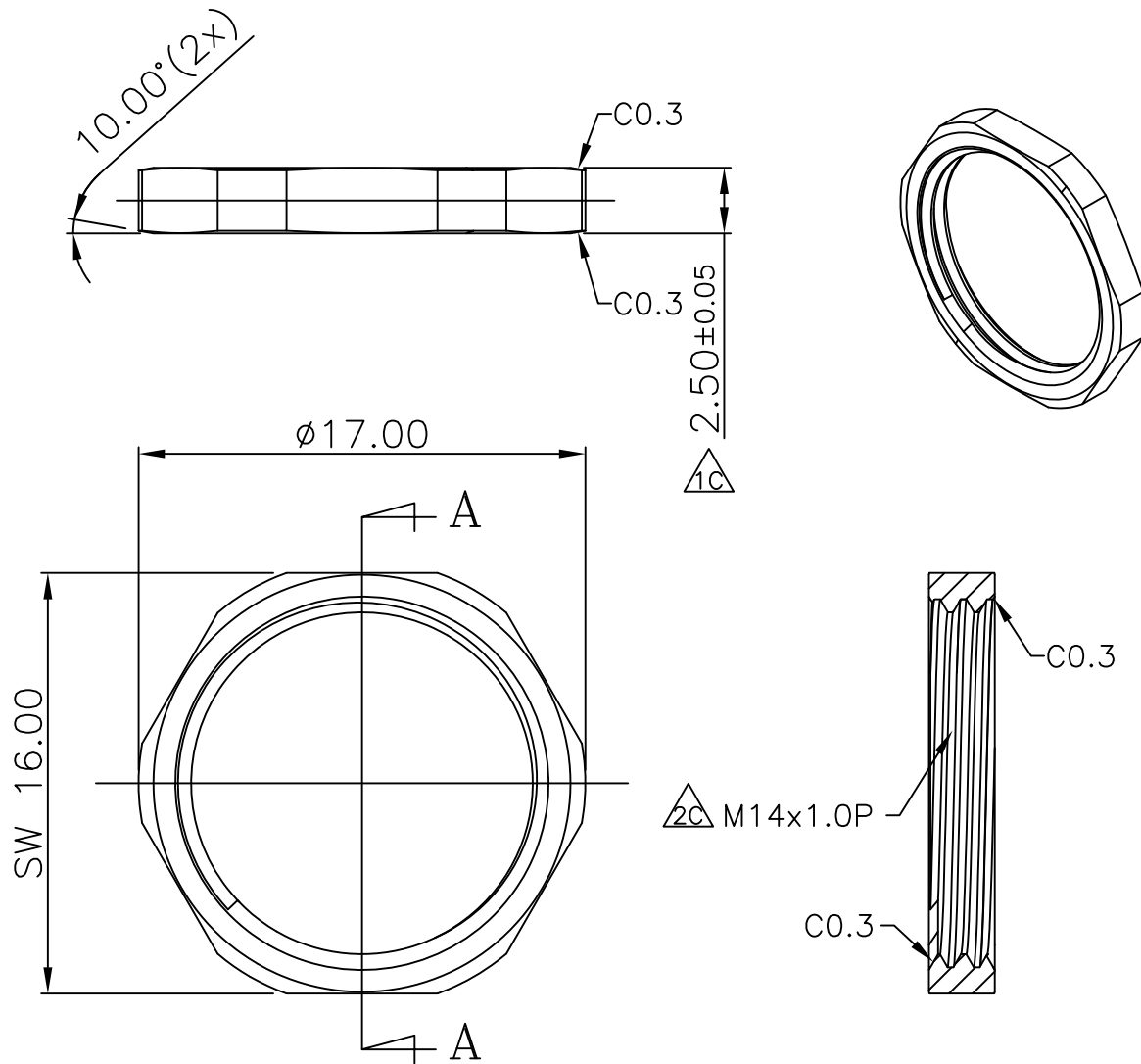
PPOJECTION

照片框

**ORDER INFORMATION**

M12-SDMPBNC-04D-LF  
SERIES | | | | | LEADFREE  
| | | | | 4 WAY (D-CODE)  
FEMALE | | | | | COVER  
DIP 180° | | | | | NUT  
METAL FOOT POST | | | | | BUSHING

DESCRIPTION: M12 female connector 外膽



Material: Brass JIS C6801  
 Plating: Ni 40u" min.  
 No sharp angles(全周無銳角)  
 螺牙以檢具判定

A-A section(1:1)

RoHS Compliant

TOLERANCES ARE

**MORETHANALL**  
 PCB CONNECTORS  
 Cable ASSEMBLIES

煜倫股份有限公司

www.morethanall.com

DRAWING BY CY

CHECKED BY GENIUS

UNIT / mm

SCALE 1:1

DATE

SIZE A4

X ± 0.50

.X ± 0.38

.XX ± 0.25

.XXX ± 0.10

ANG ± 3°

PPOJECTION

照片框

ORDER INFORMATION

M12-SDMPBNC-04D-LF  
 SERIES | | | | | LEADFREE  
 | | | | | 4 WAY (D-CODE)  
 FEMALE | | | | | COVER  
 DIP 180° | | | | | NUT  
 METAL FOOT POST | | | | | BUSHING

DESCRIPTION: M12 female connector 螺帽