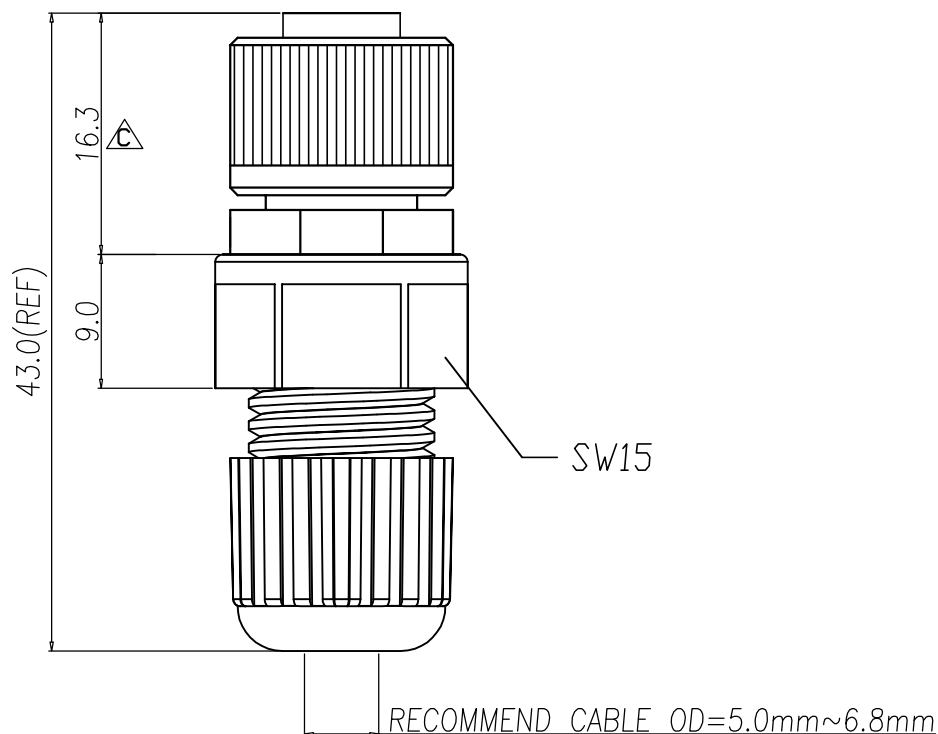


TABLE A

M12-SABK43-08	M12-SABK43-07	M12-SABK43-06



1. MATERIAL :
 - 1-1. HOUSING : PBT UL94V-0 ; COLOR : BLACK.
 - 1-2. CONTACT : BRASS
 - 1-3. SHELL : BRASS
 - 1-4. O-RING : EPDM
 - 1-5. NUT : ALUMINUM ALLOY
 - 1-6. GASKET : SILICONE
 - 1-7. CLAMP RING : PA66 $\triangle B$
 - 1-8. SEAL : SILICONE
 - 1-9. SEALING NUT : PA66
2. FINISH :
 - 2-1. CONTACT : GOLD FLASH PLATED.
 - 2-2. NUT : NICKEL PLATED.
 - 2-3. SHELL : NICKEL PLATED.
3. ELECTRICAL SPECIFICATION :
 - 3-1. Rated current : 2A
 - 3-2. Rated voltage : 30V
 - 3-3. Water proof : IP67
4. Environmental :
 - 4-1. Operation Temperature : $-40^{\circ}\text{C} \sim 105^{\circ}\text{C}$

RoHS Compliant

TOLERANCES ARE

MORETHANALL
PCB CONNECTORS
Cable ASSEMBLIES
煜倫股份有限公司

DRAWING BY CY

CHECKED BY GENIUS

UNIT / mm

SCALE 1 : 1

DATE

SIZE A4

X, \pm
.X \pm 0.20
.XX \pm 0.10
.XXX \pm 0.05
ANG \pm 1°

PJECTION

照片框

ORDER INFORMATION

M12-SABK43-xx-LF
SERIES | | | LEADFREE
| | | 06.07.08 WAY
| | | LONG 43mm
| | | BLACK
| | | ASSEMBLY
| | | FEMALE

DESCRIPTION: M12 (F) A-coded Assembly type(塑膠本體)

www.morethanall.com