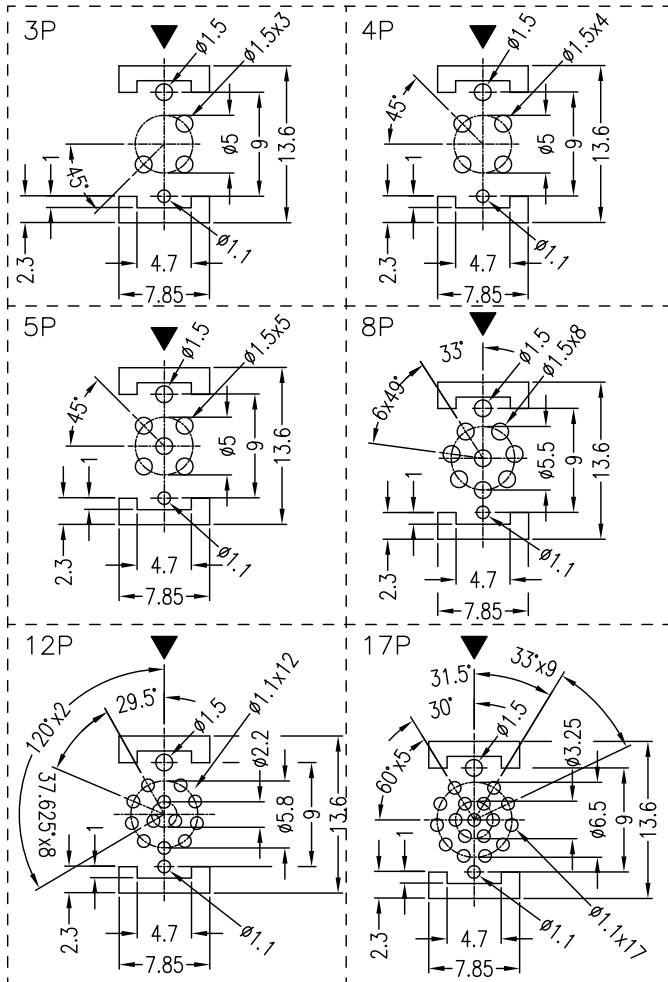
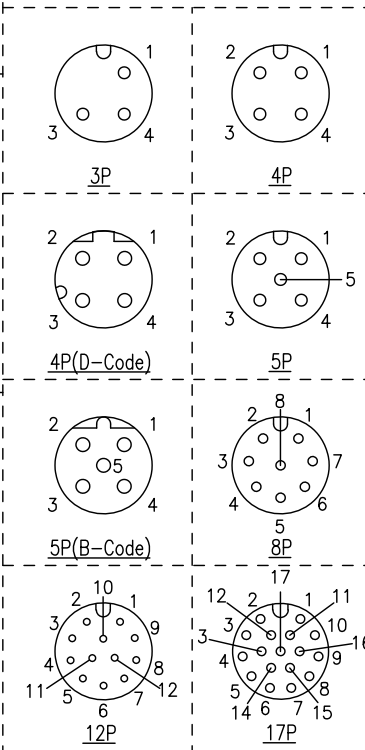
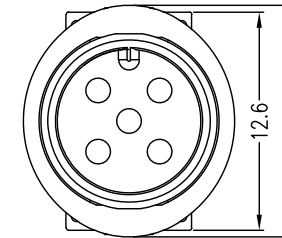
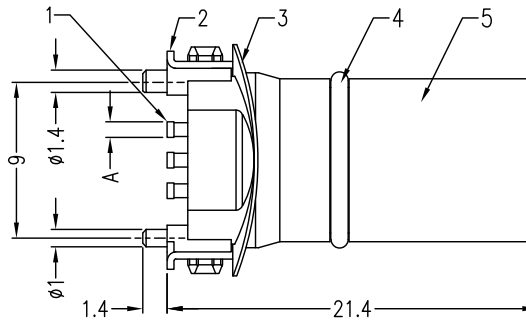


▼: Key方向



Recommend
PCB Layout



Pin Assignments
Front View

Note:

- * IP Grade: IP67
- * Rated current:
3~5Pin: 4A; 8Pin: 2A
12~17Pin: 1.5A
- * Rated voltage:
3~4Pin: 250V; 5Pin: 60V
8~17Pin: 30V

A	
3~8Pin	∅0.9mm
12~17Pin	∅0.7mm

5	M12 Male	Housing: LCP	1
4		O-Ring: Rubber	1
3		Washer: Steel,Nickel Plated	1
2		Fastener: Copper Alloy,Matte Tin Plated	1
1		Male Pin: Copper Alloy,Gold Plated	N
NO.	ITEM	SPEC	QTY

RoHS Compliant

TOLERANCES ARE

MORETHANALL
PCB CONNECTORS
Cable ASSEMBLIES
煜倫股份有限公司

DRAWING BY CY
CHECKED BY GENIUS
UNIT / mm SCALE 1:1
DATE
SIZE A4 PPROJECTION

X, ±
.X ±
.XX ±
.XXX ±
ANG ±

照片框

ORDER INFORMATION

M12-PVEP2-xx-LF
SERIES | LEADFREE
03~17WAY
04D:4WAY D CODE
05B:5WAY B CODE
MALE | EAR+POST
180°SMT

DESCRIPTION: M12 MALE 贴片式

www.morethanall.com