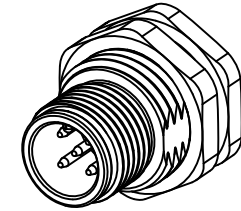
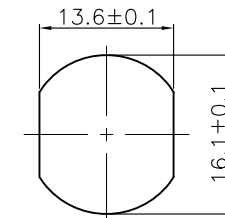
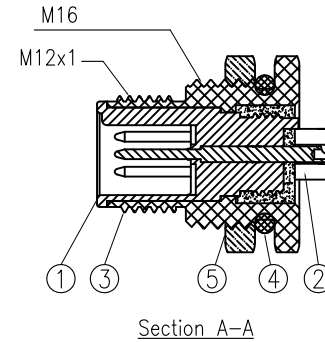
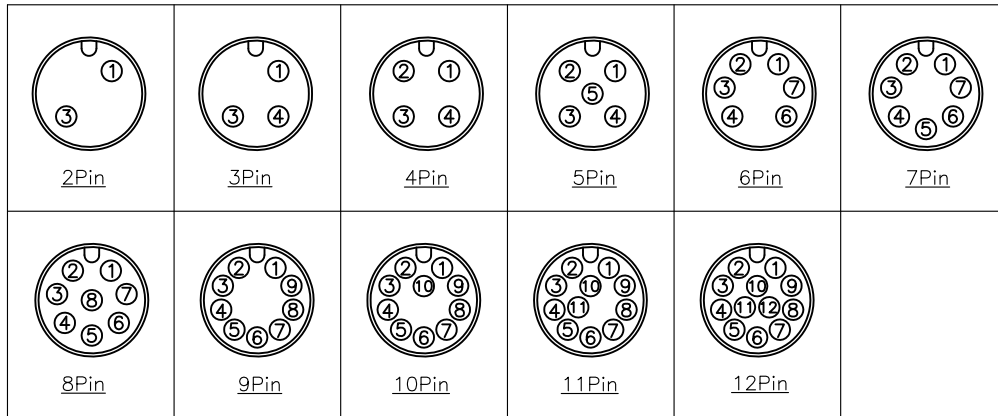


Specifications:
 Current Rating: 4A(2~5P); 2A(6~8P); 1.5A(9~12P) AC/DC
 Voltage Rating: 250V(2~4P); 60V(5P); 30V(6~12P) AC/DC
 Contact Resistance: 5m ohm. Max.
 Insulation Resistance: 100M ohm. Min.
 Withstanding Voltage: 500V AC/Minute
 Operating Temperature Range: -40°C ~ +100°C
 Waterproof Rate: IP67
 Durability: 500 Cycles Min.
 Material and Finish



Pin Assignments Front View



M16 Recommended Panel CUT-Out
 Thickness: 4.0mm

ITEM	Description	Material	Remark	Q'TY
1	Insulator	Nylon 66	UL94V-0 Black	1
2	Terminal	Copper Alloy	Gold Plated 1u"	2~12
3	Shell	Zinc Alloy	Nickel Plated 60u"	1
4	Seal ring	Silicone	Red	1
5	Nut	Copper Alloy	PG9 or M16 Nickel Plated 60u"	1

RoHS Compliant

TOLERANCES ARE

MORETHANALL
 PCB CONNECTORS
 Cable ASSEMBLIES

DRAWING BY CY

X, ±
 .X ± 0.20
 .XX ± 0.15
 .XXX ± 0.10
 ANG ±

CHECKED BY GENIUS

UNIT / mm SCALE 1 : 1

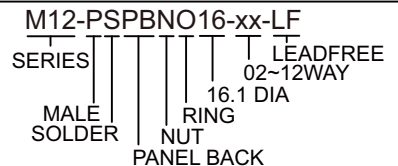
DATE

SIZE A4

P PROJECTION

照片框

ORDER INFORMATION



DESCRIPTION: M12 A CODE PLUG FRONT FASTENED SOLDER TYPE

煜倫股份有限公司

www.morethanall.com