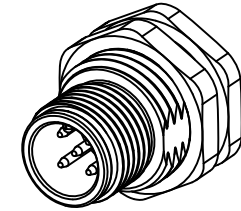
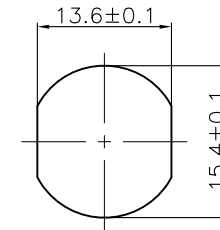
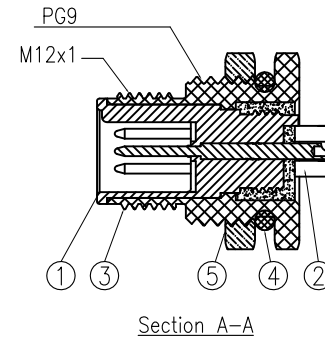
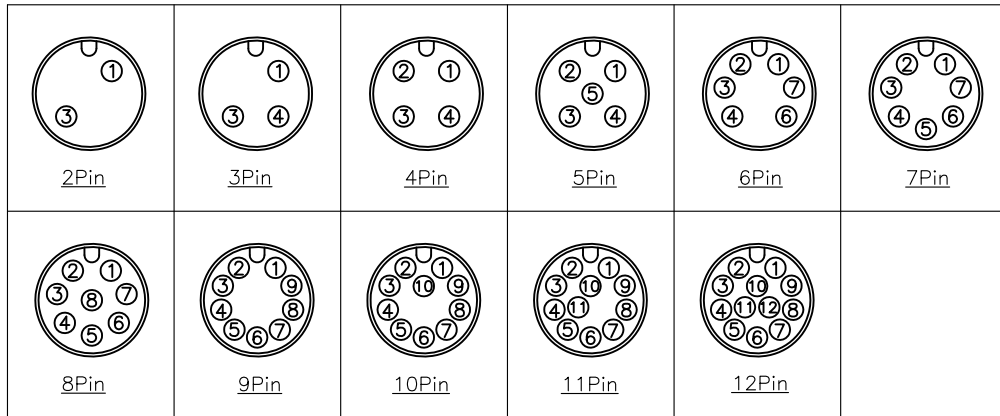


Specifications:  
 Current Rating:4A(2~5P);2A(6~8P);1.5A(9~12P)AC/DC  
 Voltage Rating:250V(2~4P);60V(5P);30V(6~12P)AC/DC  
 Contact Resistance:5m ohm. Max.  
 Insulation Resistance:100M ohm. Min.  
 Withstanding Voltage:500V AC/Minute  
 Operating Temperature Range:-40°C ~ +100°C  
 Waterproof Rate:IP67  
 Durability:500 Cycles Min.  
 Material and Finish



Pin Assignments Front View



PG9 Recommended Panel CUT-Out  
 Thickness:4.0mm

ITEM	Description	Material	Remark	Q'TY
1	Insulator	Nylon 66	UL94V-0 Black	1
2	Terminal	Copper Alloy	Gold Plated 1u"	2~12
3	Shell	Zinc Alloy	Nickel Plated 60u"	1
4	Seal ring	Silicone	Red	1
5	Nut	Copper Alloy	PG9 or M16 Nickel Plated 60u"	1

RoHS Compliant

TOLERANCES ARE

**MORETHANALL**  
 PCB CONNECTORS  
 Cable ASSEMBLIES

DRAWING BY CY

X, ±  
 .X ± 0.20  
 .XX ± 0.15  
 .XXX ± 0.10  
 ANG ±

CHECKED BY GENIUS

UNIT / mm SCALE 1 : 1

DATE

SIZE A4

P PROJECTION

照片框

ORDER INFORMATION

M12-PSPBNO15-xx-LF  
 SERIES | | | | | LEADFREE  
 | | | | | 02~12WAY  
 | | | | | 15.4 DIA  
 MALE RING  
 SOLDER NUT  
 PANEL BACK

DESCRIPTION: M12 A CODE PLUG FRONT FASTENED SOLDER TYPE

煜倫股份有限公司

www.morethanall.com