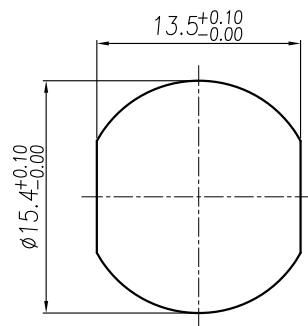


NUT



RECOMMEND PANEL CUT-OUT

1. MATERIAL :
  - 1-1. HOUSING : PBT ; COLOR : BLACK
  - 1-2. CONTACT : BRASS
  - 1-3. NUT : BRASS
  - 1-4. SHELL : BRASS
  - 1-5. O-RING : EPDM
  - 1-6. X-SHELL : Zn ALLOY
2. FINISH :
  - 2-1. CONTACT : 10 MICRO INCHES MIN. GOLD PLATED  
UNDER PLATE : NICKEL
  - 2-2. NUT : NICKEL PLATED
  - 2-3. SHELL : NICKEL PLATED
  - 2-4. X-SHELL : NICKEL PLATED
3. ELECTRICAL SPECIFICATION :
  - 3-1. Rated current : 0.5A
  - 3-2. Rated Voltage : 48V
  - 3-3. Water proof: IPX7
4. Environmental :
  - 4-1. Operation Temperature : -40℃~85℃

RoHS Compliant

TOLERANCES ARE

**MORETHANALL**  
PCB CONNECTORS  
Cable ASSEMBLIES

煜倫股份有限公司

www.morethanall.com

DRAWING BY CY

CHECKED BY GENIUS

UNIT / mm

SCALE 1 : 1

DATE

SIZE A4

X, ±  
.X ± 0.20  
.XX ± 0.10  
.XXX ± 0.05  
ANG ± 1°

PJECTION

照片框

ORDER INFORMATION

M12-PSPBNO15-08X-LF  
SERIES | | | | | LEADFREE  
MALE | | | | | 08WAY X-CODE  
SOLDER | | | | | 15 DIA  
RING | | | | |  
NUT | | | | |  
PANEL BACK

DESCRIPTION: 防水頭 M12 8PIN X-Code(M) 前鎖PG9 焊線式(無溝槽+接地銅管)