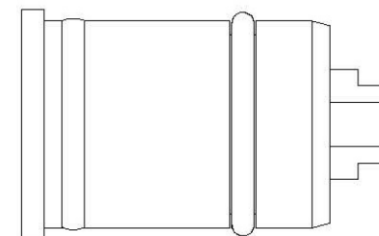


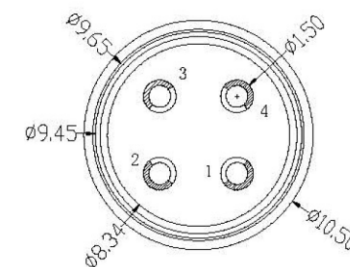
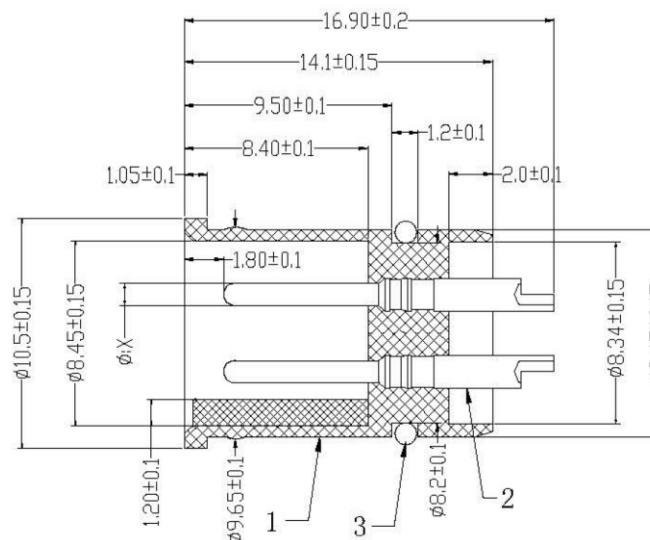
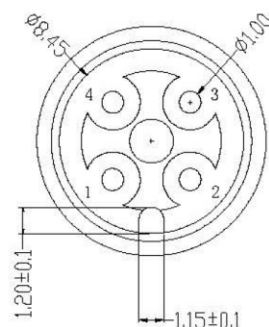
PIN位	2PIN	3PIN	4PIN	5PIN
X 值	1.00	1.00	1.00	1.00
A-CODE 图形				



Rated voltage: 2-5pin: 60V
6-8pin: 30V

Rated current: 2-5pin: 4A
6-8pin: 2A

Insulation resistance: $\geq 1000M\Omega$
 Contact resistance: $\leq 10M\Omega$
 Operation Temperature: $-40^{\circ}C \sim 105^{\circ}C$
 Engagement force: $\leq 50N$
 Disengagement force: $\geq 5N$
 Mechanical lifespan: ≥ 500
 IP rating: IP67/IP68
 Flammability: UL94 V-0



RoHS Compliant

TOLERANCES ARE

MORETHANALL
PCB CONNECTORS
Cable ASSEMBLIES

煜倫股份有限公司

www.morethanall.com

DRAWING BY CY

CHECKED BY GENIUS

UNIT / mm SCALE 1 : 1

DATE

SIZE A4

X. ± 0.50
 .X ± 0.30
 .XX ± 0.10
 .XXX \pm
 ANG \pm

P PROJECTION

照片框

ORDER INFORMATION

M12-PSPA95BK-xx-LF
 SERIES | | | | LEADFREE
 | | | | 02-05 WAY
 | | | | BLACK
 | | | | 9.5 DIA
 MALE | | | | PANEL FRONT
 | | | | SOLDER

DESCRIPTION: