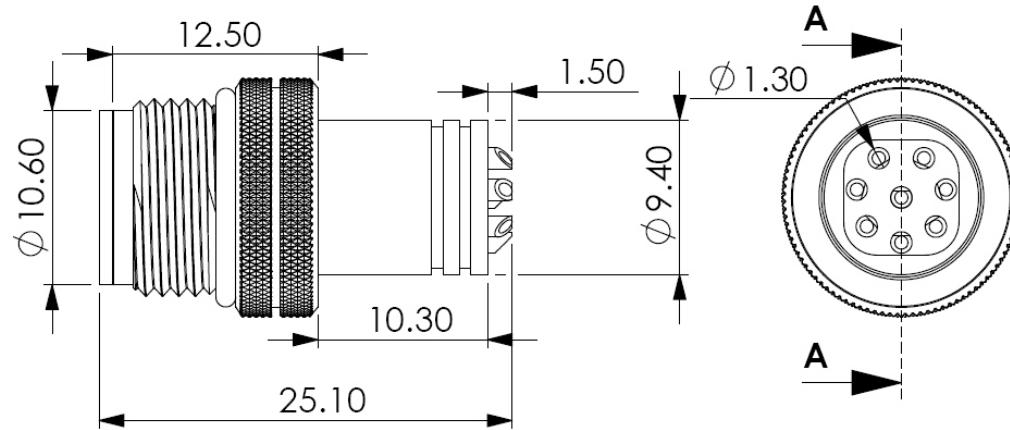
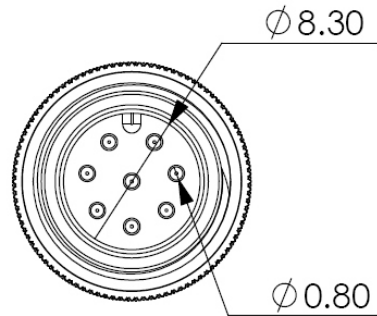


SECTION A-A



M12-PS25-08-LF
LEADFREE
RoHS Compliant

No.	Description	Material	Treat	Q'ty
4	Terminals	Brass	Gold Ptd.	8
3	Ring	NBR		1
2	Screw Cap	Brass	Nickel Ptd.	1
1	Housing	PBT+GF15%		1



PART NO. M12-PS25-08

DWG NO. M12-PS25-08

FILE NO.

UNIT / mm

SCALE 1:1

CHECKED BY CY

DRAWING BY

PROJECTION

TOLERANCES ARE

.X ± 0.2
.XX ± 0.1
.XXX ±
AWG

DESCRIPTION:

AREA

REVISIONS

HK

DATE

煜倫股份有限公司