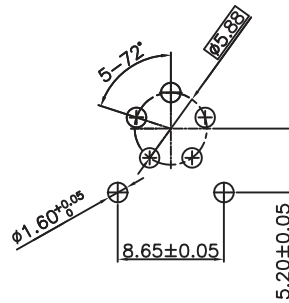
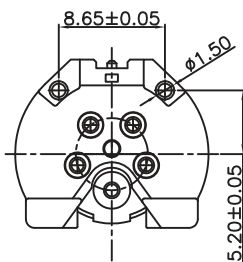
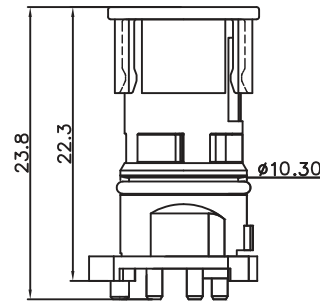
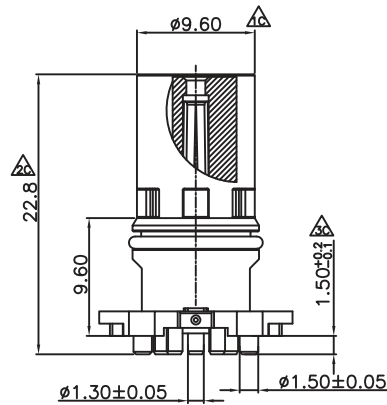
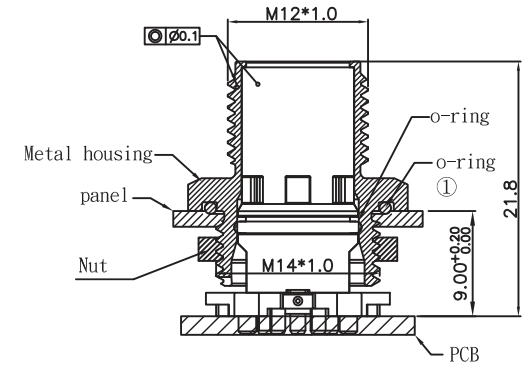


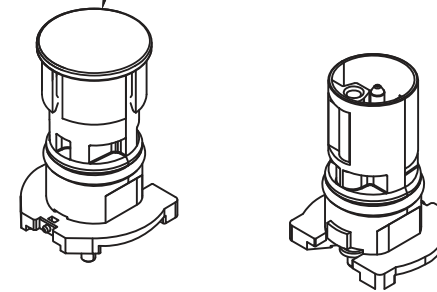
Pin assignment (front view)	L-code
	FE
Part number	5-pos-SMT
	M12-PDPC-05L

Installation recommendation



PCB LAYOUT (PIP)

Pick and place cover



Material:

- Housing: High temp. Polyamide (PA4T+30%GF)  
Flammability rating UL 94V-0.(color black)
- Contacts: Brass nickel -Plated and gold (30U)-plated  
o-ring: VITON UL157 BLACK
- Electrical Data: Rated Voltage: 63V  
Rated Current: 16A
- International Standards: IEC 61076-2-111

RoHS Compliant

TOLERANCES ARE



煜倫股份有限公司

www.morethanall.com

DRAWING BY CY

CHECKED BY GENIUS

UNIT / mm SCALE 1 : 1

DATE

SIZE A4

X. ± 0.50

.X ± 0.38

.XX ± 0.25

.XXX ± 0.10

ANG ± 3°

PPOJECTION

照片框

ORDER INFORMATION

M12-PDPC-05L-LF  
SERIES | LEADFREE  
5 WAY (L-CODE)  
COVER  
POST  
DIP 180°  
MALE

DESCRIPTION: M12 L Code SMT Male Connector