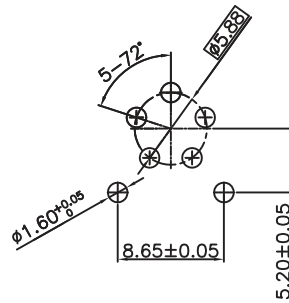
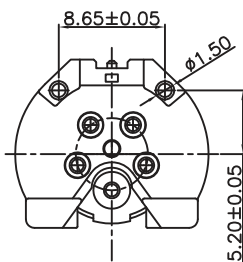
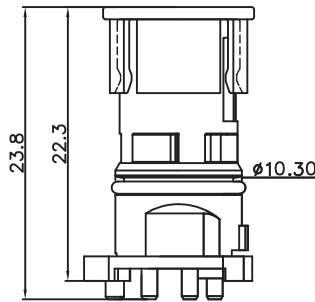
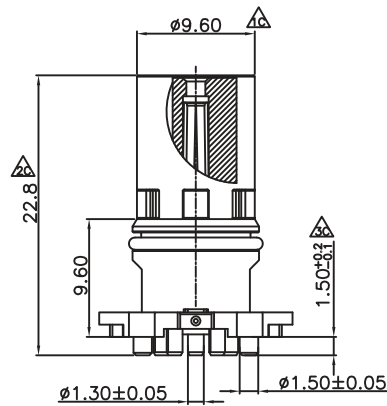
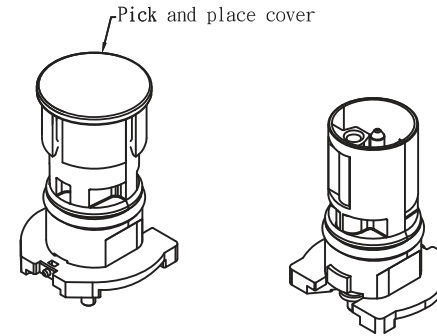
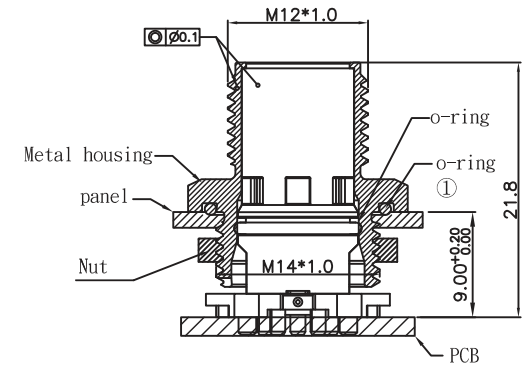


	L-code
Pin assignment (front view)	FE 1 4 2 3
	5-pos-SMT
Part number	M12-PDPBNC-05L



PCB LAYOUT (PIP)

Installation recommendation



Material:

- Housing: High temp. Polyamide (PA4T+30%GF)
Flammability rating UL 94V-0.(color black)
- Contacts: Brass nickel -Plated and gold (30U)-plated
o-ring: VITON UL157 BLACK
- Electrical Data: Rated Voltage: 63V
Rated Current: 16A
- International Standards: IEC 61076-2-111

RoHS Compliant

TOLERANCES ARE



煜倫股份有限公司

www.morethanall.com

DRAWING BY CY

CHECKED BY GENIUS

UNIT / mm

SCALE 1 : 1

DATE

SIZE A4

X ± 0.50

.X ± 0.38

.XX ± 0.25

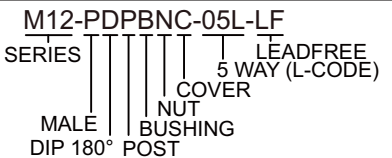
.XXX ± 0.10

ANG ± 3°

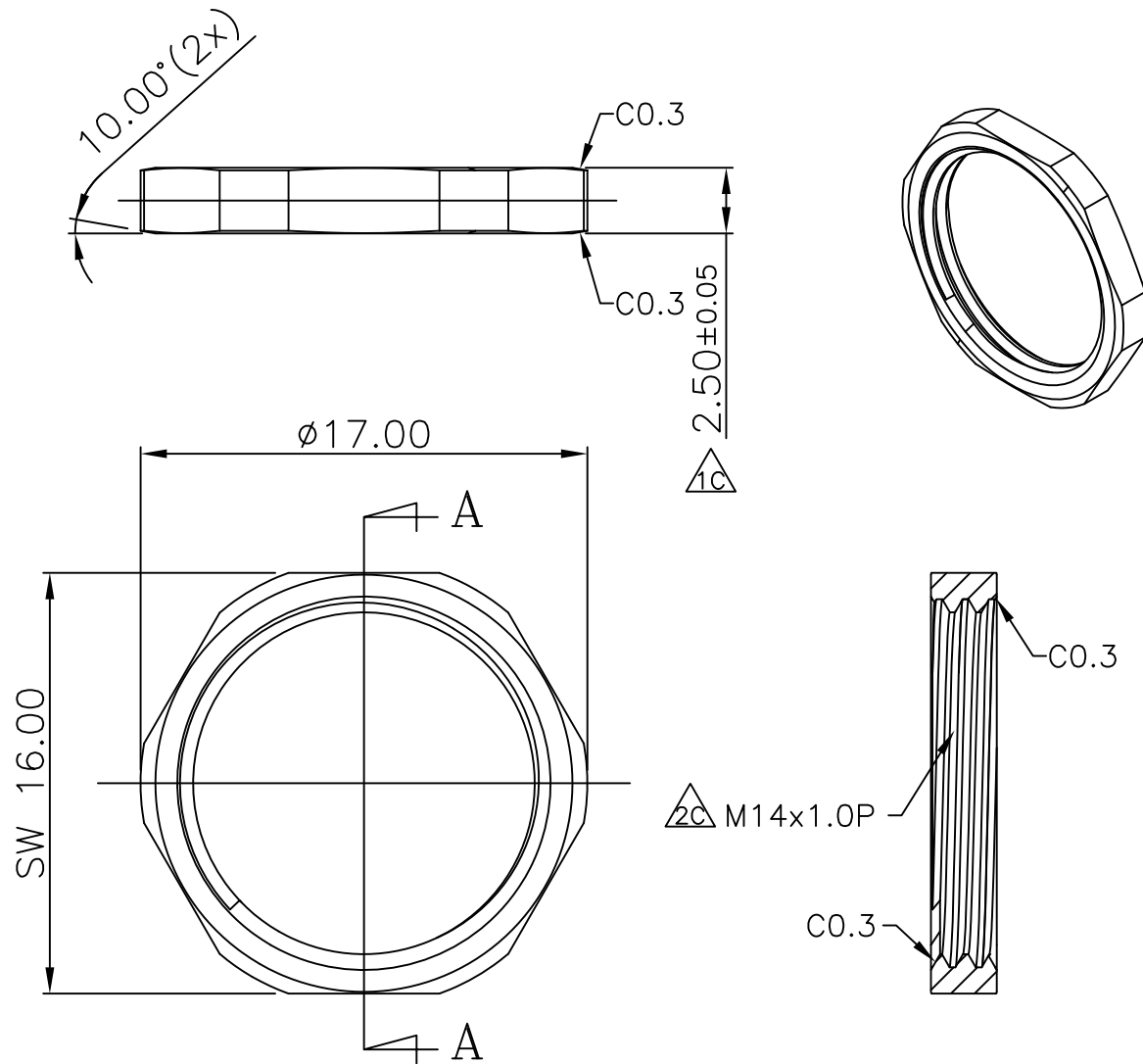
PPOJECTION

照片框

ORDER INFORMATION



DESCRIPTION: M12 L Code SMT Male Connector



Material: Brass JIS C6801
 Plating: Ni 40u" min.
 No sharp angles(全周無銳角)
 螺牙以檢具判定

A-A section(1:1)

RoHS Compliant

TOLERANCES ARE

MORETHANALL
 PCB CONNECTORS
 Cable ASSEMBLIES

煜倫股份有限公司

www.morethanall.com

DRAWING BY CY

CHECKED BY GENIUS

UNIT / mm

SCALE 1:1

DATE

SIZE A4

X ± 0.50

.X ± 0.38

.XX ± 0.25

.XXX ± 0.10

ANG ± 3°

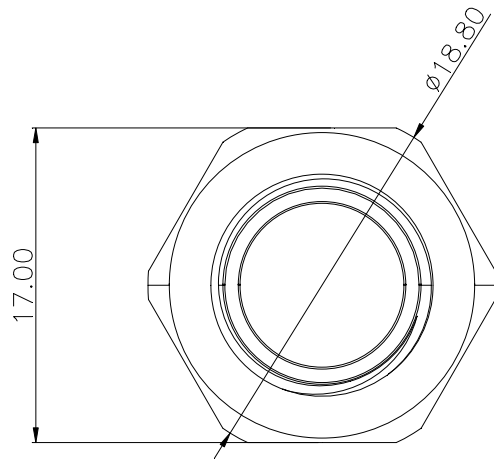
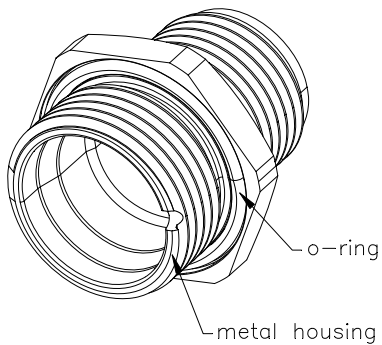
PPOJECTION

照片框

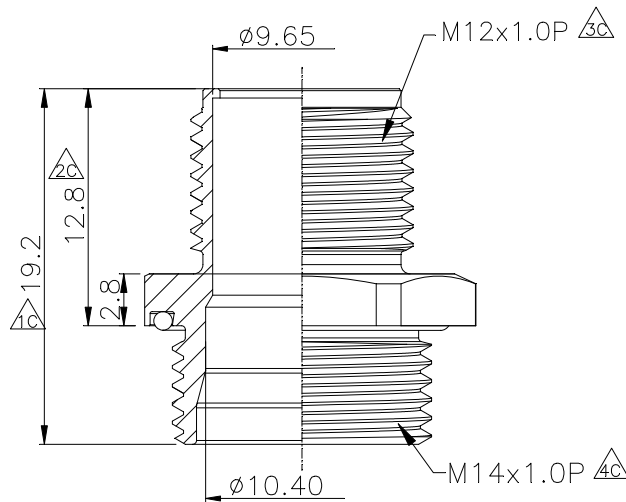
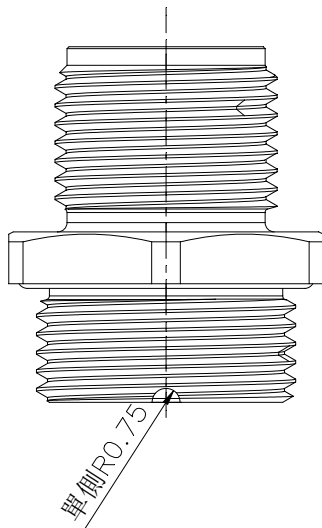
ORDER INFORMATION

M12-PDPBNC-05L-LF
 SERIES | | | | | LEADFREE
 | | | | | 5 WAY (L-CODE)
 | | | | | COVER
 MALE | | | | | NUT
 DIP 180° POST | | | | | BUSHING

DESCRIPTION: M12 connector 螺帽



metal housing: BRASS
o-ring1: NBR UL157 BLACK



RoHS Compliant

TOLERANCES ARE

MORETHANALL
PCB CONNECTORS
Cable ASSEMBLIES
煜倫股份有限公司

DRAWING BY CY

X ± 0.50

CHECKED BY GENIUS

.X ± 0.38

UNIT / mm

SCALE 1 : 1

.XX ± 0.25

DATE

.XXX ± 0.10

ANG $\pm 3^\circ$

SIZE A4

PPOJECTION

照片框

ORDER INFORMATION

M12-PDPBNC-05L-LF
SERIES | | | | | LEADFREE
5 WAY (L-CODE)
COVER
NUT
BUSHING
MALE
DIP 180° POST

DESCRIPTION: M12 L Code SMT 外膽 公頭金屬外罩+ORING

www.morethanall.com