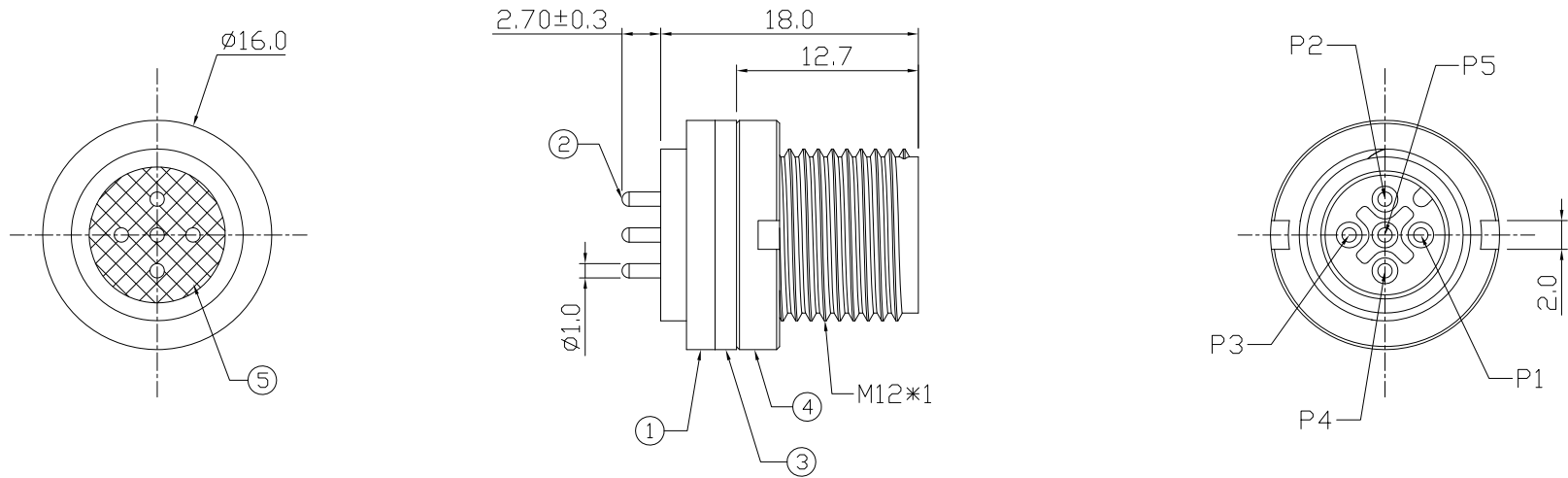
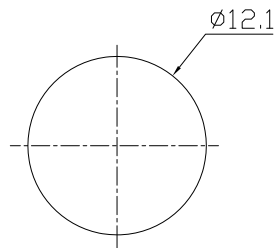


Notes: (Unless Otherwise Specified)

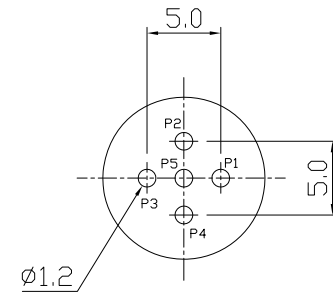
1. Waterproof Rate : IP68
2. Recommend Panel Thickness: 0.8 to 3.5mm
3. Recommend Torque: 9~10 Kgf-cm
4. RoHS Compliant.



5	Glue	Epoxy Color: Black	
4	Spanner Nut	Thermoplastic Color: Black	1
3	Gasket	NBR Color: Black	1
2	Contacts	Copper Alloy Finish: Au Plated	5
1	Housing	Thermoplastic Color: Black	1
Item	Part Name	Material / Finish	Q'ty



Recommend
Panel Cut-Out



Recommend PCB Layout

RoHS Compliant

TOLERANCES ARE

MORETHANALL
PCB CONNECTORS
Cable ASSEMBLIES

煜倫股份有限公司

www.morethanall.com

DRAWING BY CY

X. ± 0.30

CHECKED BY GENIUS

.X ± 0.50

UNIT / mm

SCALE 1 : 1

.XX ± 0.20

DATE

.XXX ± 0.05

ANG ± 1°

SIZE A4

PJECTION

照片框

ORDER INFORMATION

M12-PDBKPBNO-05-LF

SERIES M12
LEADFREE
05 WAY
RING
NUT
PANEL BACK
BLACK
MALE
DIP 180°

DESCRIPTION: M12 A-Coding Plastic 4A 5P Panel Male Dip With Spanner Nut