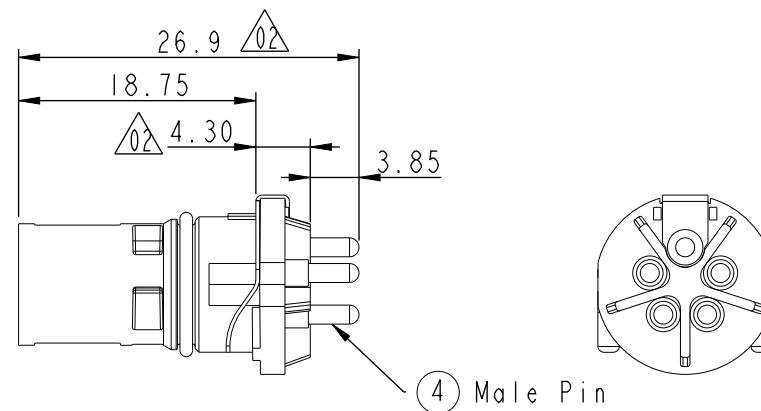
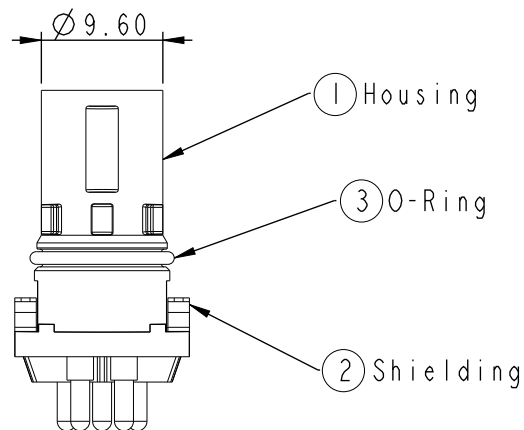


Front View



Notes:

Material:

- ① Housing: Nylon+GF, Black.
- ② Shielding: Copper Alloy, Nickel Plated.
- ③ O-Ring: Silicone, Black.
- ④ Pin: Copper Alloy, Gold Plated

Electrical Characteristics:

- * Current rating: 16A
- * Voltage rating max.: 200V AC/DC

RoHS Compliant

TOLERANCES ARE

MORETHANALL
PCB CONNECTORS
Cable ASSEMBLIES

煜倫股份有限公司

www.morethanall.com

DRAWING BY CY

CHECKED BY GENIUS

UNIT / mm

SCALE 1 : 1

DATE

SIZE A4

X, ±
.X ± 0.25
.XX ± 0.10
.XXX ± 0.05
ANG ± 1°

P PROJECTION

照片框

ORDER INFORMATION

M12-PD-04K-LF
SERIES | LEADFREE
| 04 WAY K CODE
DIP 180°
MALE

DESCRIPTION: M12 K-CODE 4+PE MALE CONN. FOR PANEL TYPE