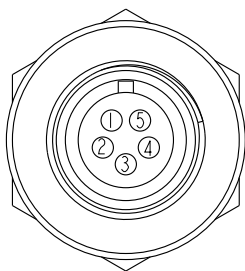
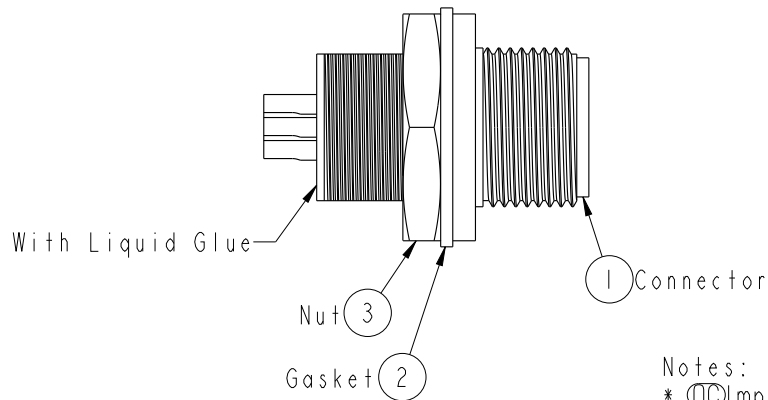
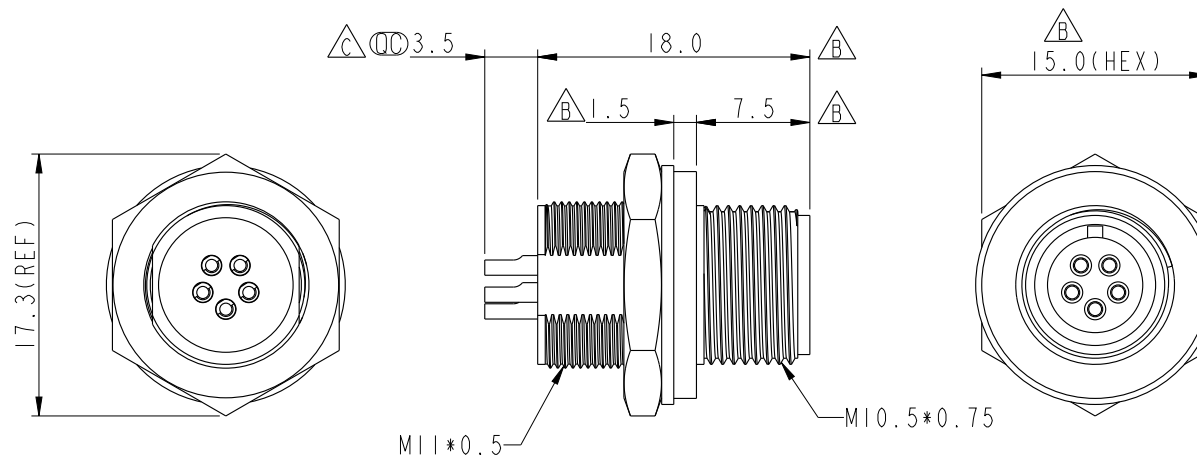


Recommended Panel Cut-Out



Pin Assignments  
Front View



Notes:

- \*  $\text{⌀}$  Important Dimension.
- \* Waterproof Rate: IP67.
- \* Connector: Black, Nylon+GF.
- \* Female Pin: Copper Alloy, Gold Plated.
- \* Gasket: Black, EPDM.
- \* Nut: Copper Alloy, Nickel Plated.
- \* Shield: Copper Alloy, Nickel Plated.
- \* For Panel Thickness Max: 6.0mm.
- $\triangle$  \* Nut Torque: 4~6 Kgf.cm

RoHS Compliant

TOLERANCES ARE

**MORETHANALL**  
PCB CONNECTORS  
Cable ASSEMBLIES

煜倫股份有限公司

www.morethanall.com

DRAWING BY CY

CHECKED BY GENIUS

UNIT / mm

SCALE 1:1

DATE

SIZE A4

X, ±  
.X ± 0.25  
.XX ± 0.10  
.XXX ± 0.05  
ANG ± 1°

P PROJECTION

照片框

ORDER INFORMATION

M10.5-SSPANW-05-LF

SERIES | | | | LEADFREE  
FEMALE | | | | 05 WAY  
NUT | | | | WASHER  
PANEL FRONT | | | |  
SOLDER

DESCRIPTION: M10.5 Conn Panel Screw 5P M Conn F Pin