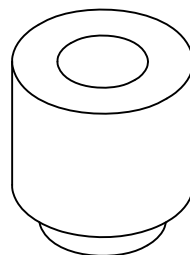
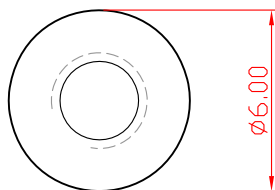
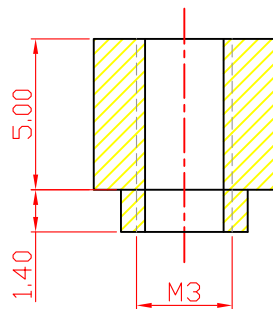
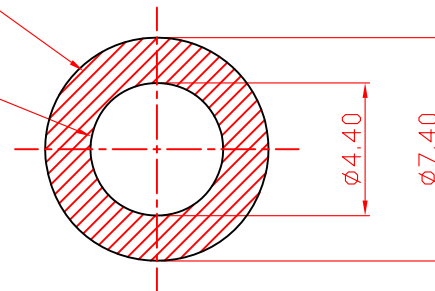


sectional drawing A-A

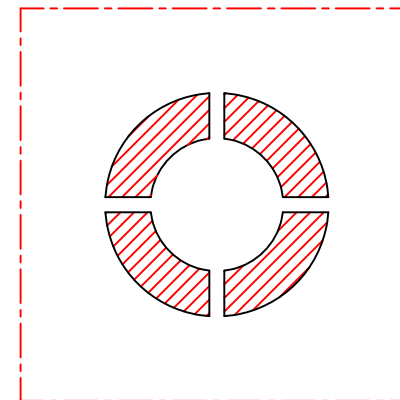


Suggested Solder pad

Non plated through hold



Stencil Example:



RoHS Compliant

TOLERANCES ARE

**MORETHANALL**  
PCB CONNECTORS  
Cable ASSEMBLIES

DRAWING BY CY

CHECKED BY GENIUS

UNIT / mm

SCALE 1:1

DATE

SIZE A4

X. ±

.X ±

.XX ±

.XXX ±

ANG ±

PJECTION

照片框

ORDER INFORMATION

M030-SV-050-LF  
SERIES | LEADFREE  
HIGH 5.0mm  
180°SMT  
FEMALE

煜倫股份有限公司

www.morethanall.com

DESCRIPTION: 鍍底鍍錫