

No. of Contacts	DIMENSIONS		
	A	B	C
6	4.00	6.00	2.00
8	6.00	8.00	4.00
10	8.00	10.00	6.00
12	10.00	12.00	8.00
14	12.00	14.00	10.00
16	14.00	16.00	12.00
18	16.00	18.00	14.00
20	18.00	20.00	16.00
22	20.00	22.00	18.00
24	22.00	24.00	20.00
26	24.00	26.00	22.00
28	26.00	28.00	24.00
30	28.00	30.00	26.00
32	30.00	32.00	28.00
34	32.00	34.00	30.00
36	34.00	36.00	32.00
38	36.00	38.00	34.00
40	38.00	40.00	36.00
42	40.00	42.00	38.00
44	42.00	44.00	40.00
46	44.00	46.00	42.00
48	46.00	48.00	44.00
50	48.00	50.00	46.00

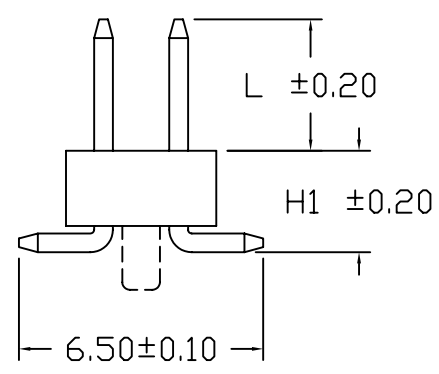
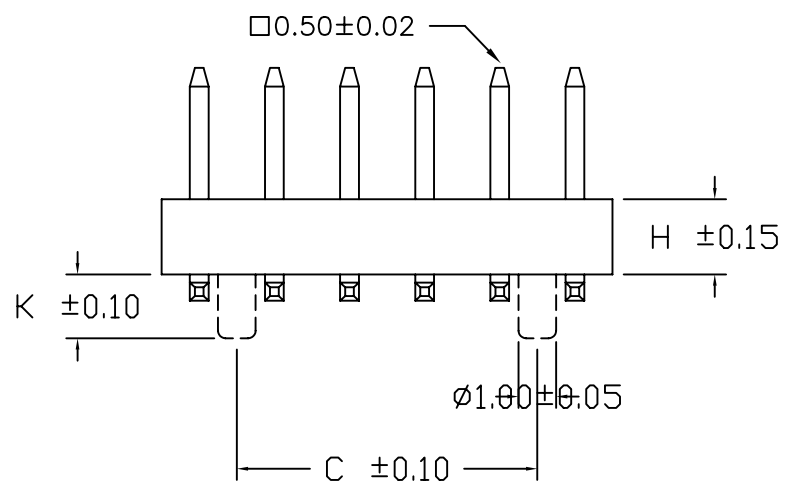
SPECIFICATIONS

Current Rating: 1 Amp
 Insulator resistance: 5000 Megohms min.
 Dielectric withstanding: AC 500 V
 Operating Temperature: -40° - +105°C
 Max Processing Temp: 230° for 30~60 seconds
 Contact Material: Copper alloy
 Insulator Material: Polyester, UL 94V-0
 ©Standard: Nylon-6T

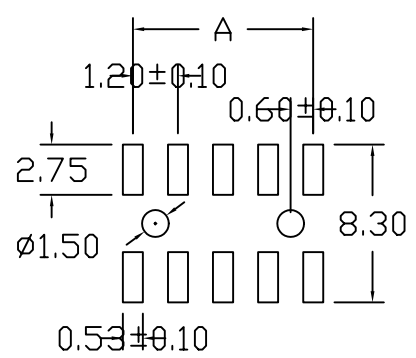
Finish: Gold plated
 ©Standard: Gold flash all over

	K
0 or 1	±L or 1.70
L1	2.27

	H	H1	L
V22	1.50	2.20	4.00
V27	2.00	2.70	3.50



Recommended P.C.Board SMD Layout



MORETHANALL
 CONNECTORS
 ASSEMBLIES

煜倫有限公司

PART NO.	M-VxxP-2Xxx
DWG NO.	M-VxxP-2Xxx
FILE NO.	
UNIT / mm	SCALE 1:1

CHECKED BY	CY
DRAWING BY	
PROJECTION	

TOLERANCES ARE
 .XX
 .XXX
 .XXX
 AWG

DESCRIPTION:				
AREA	REVISIONS	HK	DATE	