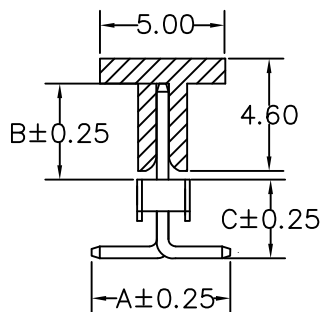
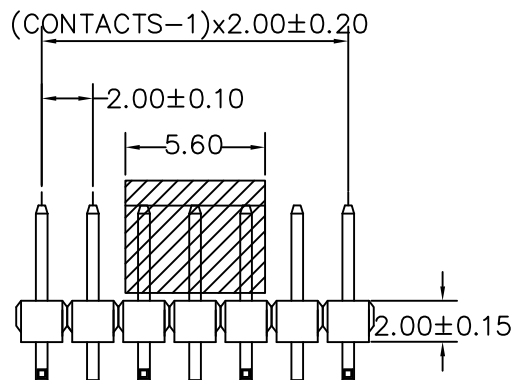


RECOMMENDED P.C.B LAYOUT



A: 4.20 mm B: 2.50 mm C: 2.60 mm

CONTACTS	1X21
1X2	1X22
1X3	1X23
1X4	1X24
1X5	1X25
1X6	1X26
1X7	1X27
1X8	1X28
1X9	1X29
1X10	1X30
1X11	1X31
1X12	1X32
1X13	1X33
1X14	1X34
1X15	1X35
1X16	1X36
1X17	1X37
1X18	1X38
1X19	1X39
1X20	1X40

MATERIAL

HOUSING : NY6T, UL-94V0
 CAP : NY6T, UL-94V0
 CONTACT : COPPER ALLOYS
 PLATED : GOLD FLASH
 COLOR : BLACK

SPECIFICATION

CURRENT : 2A
 OPERATING TEMPERAURE : -55° C TO +105° C
 CONTACT RESISTANCE : 20 MILLIOHMS MAX
 INSULATION RESISTANCE: 1000 MEGAOHMS MIN
 WITHSTAND VOLTAGE : 500 V AC MIN

RoHS Compliant

TOLERANCES ARE

MORETHANALL
 PCB CONNECTORS
 Cable ASSEMBLIES

DRAWING BY CY

CHECKED BY GENIUS

UNIT / mm

SCALE 1:1

DATE

SIZE A4

X. ±
 .X ± 0.38
 .XX ± 0.25
 .XXX ±
 ANG ± 5°

P PROJECTION

照片框

ORDER INFORMATION

M-V26X25C-1XxxL-LF
 SERIES | | | | | LEADFREE
 180°SMT | | | | | L TYPE FOOT POSITION
 HIGH 2.6mm | | | | | 1X02:02WAY
 NON POST | | | | | CAP 1X40:40WAY
 CONTACT 2.5mm

DESCRIPTION:

煜倫股份有限公司

www.morethanall.com