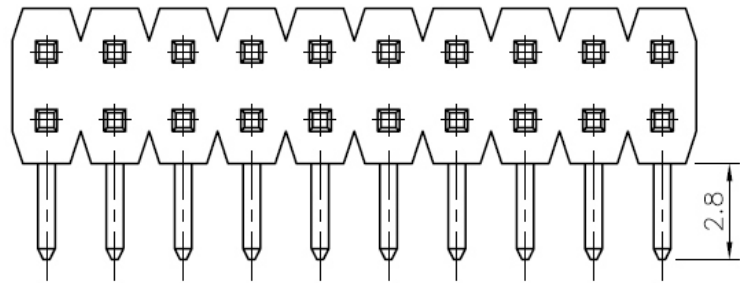
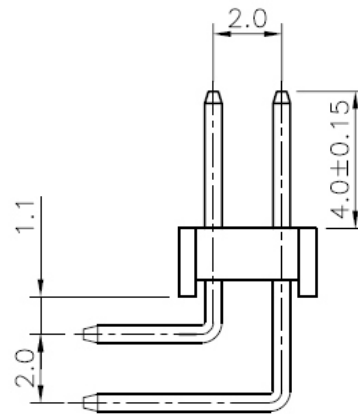
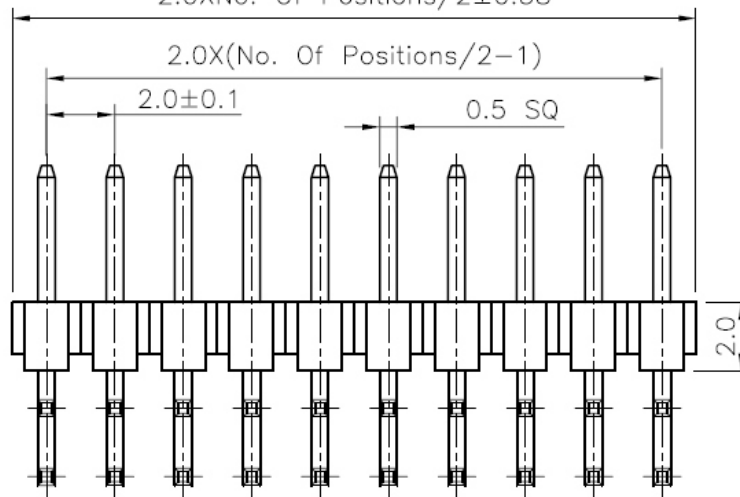


Specifications:

Current rating:2.0A AC/DC  
 Voltage rating:250V AC/DC  
 Contact resistance:20m ohm max.  
 Withstanding Voltage:500V AC/minute  
 Insulation resistance:1000M ohm min.  
 Temperature Rating:-40°C ~ +105°C  
 Materials:  
 Insulator:High Temp Plastic (UL94V-0)  
 Contact Material:Copper Alloy  
 Finish:Gold Plated



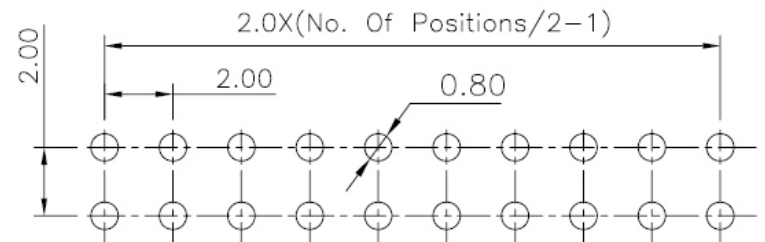
$2.0 \times \text{No. Of Positions} / 2 \pm 0.38$



**M-RC4-2Xxx-LF**

**LEADFREE**

**RoHS Compliant**



PCB Layout

**MORETHANALL**  
CONNECTORS  
ASSEMBLIES

PART NO. **M-RC4-2Xxx**

DWG NO. **M-RC4-2Xxx**

CHECKED BY CY

TOLERANCES ARE

DESCRIP TION:

FILE NO.

DRAWING BY

.X ± 0.2  
.XX ±  
.XXX ±  
AWG

AREA

REVISIONS

HK

DATE

煜倫股份有限公司

UNIT / mm

SCALE 1:1

PROJECTION

