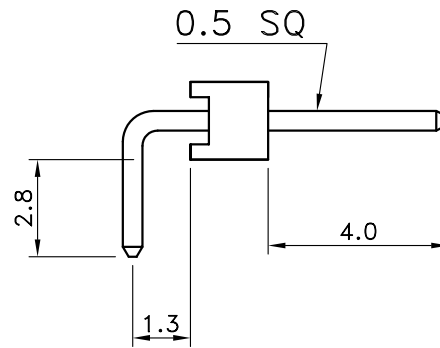
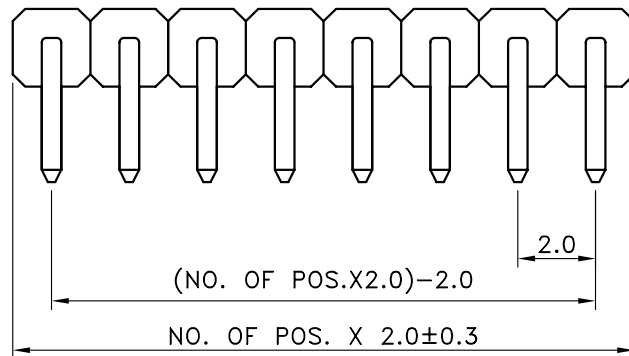


Specifications:

Current rating:1 Amps  
 Dielectric Withstanding:AC 500V  
 Operating Temperature:-25°C ~ +105°C  
 Contact resistance:20mohm max.  
 Insulation resistance:5,000Mohm min.  
 Voltage rating:125 AC,DC

Materials:

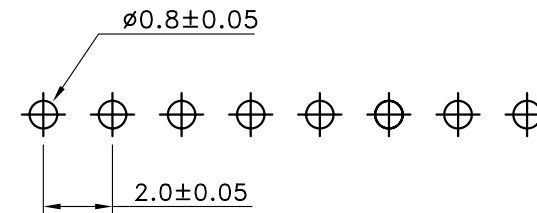
Insulator:Polyester(UL94V-0)  
 Contact material:Brass  
 Plating:Gold flash



M-RC4-1Xxx-LF

LEADFREE

RoHS Compliant



P.C.B. LAYOUT

**MORETHANALL**  
 CONNECTORS  
 ASSEMBLIES

PART NO. M-RC4-1Xxx

DWG NO. M-RC4-1Xxx

CHECKED BY CY

TOLERANCES ARE

DESCRIPTION: 2.0MM PIN HEADER R/A SINGLE ROW

FILE NO.

DRAWING BY

.X ± 0.2  
 .XX ±  
 .XXX ±  
 AWG

AREA

REVISIONS

HK

DATE

煜倫股份有限公司

UNIT / mm

SCALE 1:1

PROJECTION

