

MATERIAL

Contact Pin : Brass

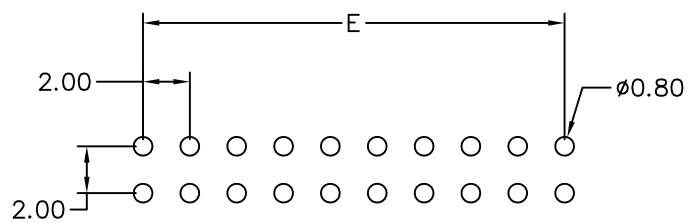
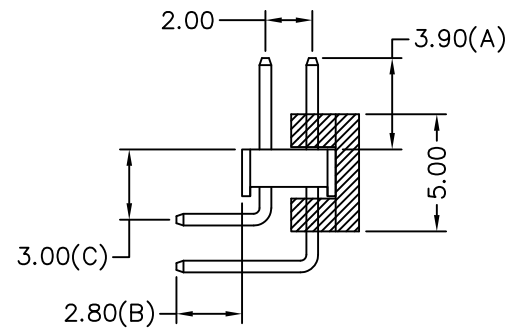
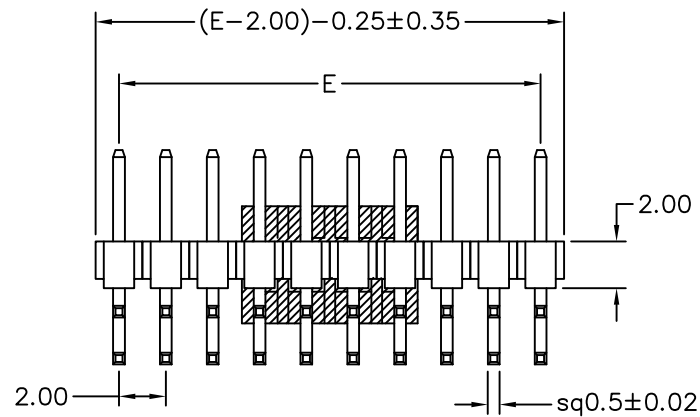
SPECIFICATION

Current Rate : 1 AMP

Insulation Resistance : 5000MΩMin. at DC 500V

Contact Resistance : 20mΩMax. at DC 100mA

Dielectric Voltage : AC 500V for one minute



Recommended P.C.B Layout

POLES	DIM E	POLES	DIM E
		21	40.00
2	2.00	22	42.00
3	4.00	23	44.00
4	6.00	24	46.00
5	8.00	25	48.00
6	10.00	26	50.00
7	12.00	27	52.00
8	14.00	28	54.00
9	16.00	29	56.00
10	18.00	30	58.00
11	20.00	31	60.00
12	22.00	32	62.00
13	24.00	33	64.00
14	26.00	34	66.00
15	28.00	35	68.00
16	30.00	36	70.00
17	32.00	37	72.00
18	34.00	38	74.00
19	36.00	39	76.00
20	38.00	40	78.00

M-RC-2Xxx-LF
LEADFREE
2X02:04WAY
2X40:80WAY

RoHS Compliant



PART NO. M-RC-2Xxx

DWG NO. M-RC-2Xxx

FILE NO.

CHECKED BY CY

DRAWING BY

PROJECTION

TOLERANCES ARE
X. ±
.X ± .30
.XX ± .20
.XXX ±
ANG

DESCRIPTION:			
AREA	REVISIONS	DATE	

焯倫股份有限公司

UNIT / mm

SCALE 1:1