

MATERIAL

Contact Pin : Brass

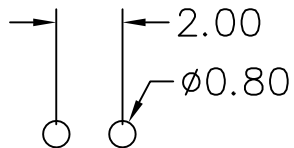
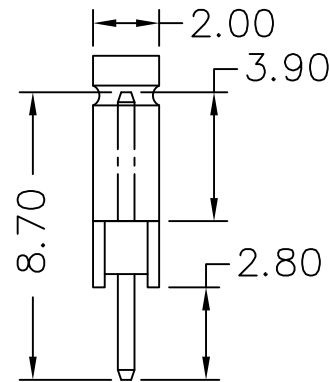
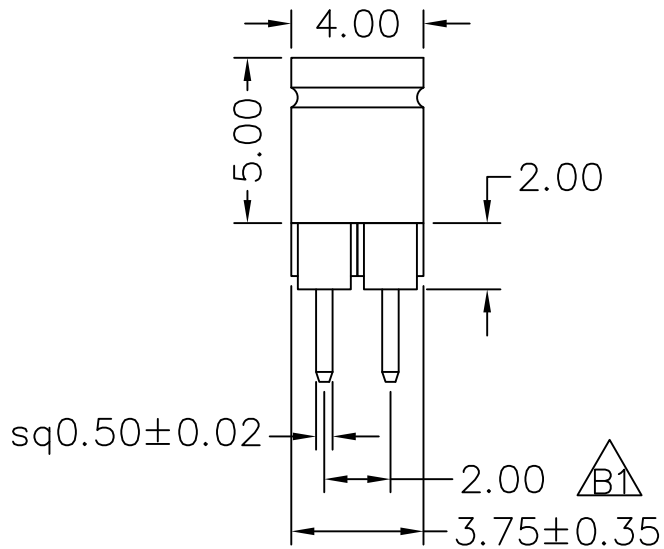
SPECIFICATION

Current Rate : 1 AMP

Insulation Resistance : 5000M Ω Min. at DC 500V

Contact Resistance : 20m Ω Max. at DC 100mA

Dielectric Voltage : AC 500V for one minute



Recommended P.C.B Layout

RoHS Compliant

TOLERANCES ARE

MORETHANALL
PCB CONNECTORS
Cable ASSEMBLIES

DRAWING BY CY

X. \pm

CHECKED BY GENIUS

.X \pm 0.30

UNIT / mm

SCALE 1 : 1

.XX \pm 0.20

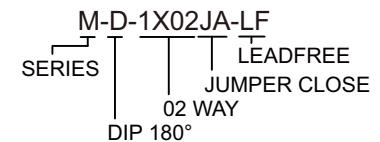
DATE

.XXX \pm

ANG \pm

照片框

ORDER INFORMATION



煜倫股份有限公司

www.morethanall.com

SIZE A4

PPOJECTION

DESCRIPTION: PIN HEADER 2.00*2.00mm STRAIGHT TYPE, SINGLE ROW +MINI JUMPER