

B-B Section

表面處理(Surface treatment):
鍍錫膜厚 40μ "以上
(Tin-plated thickness
more than 40μ ")

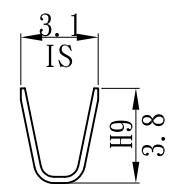
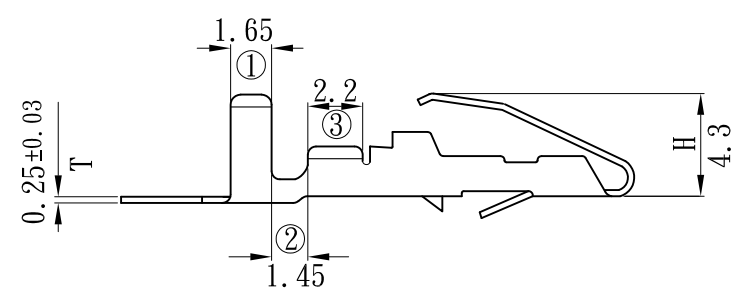
表面處理(Surface treatment):
鍍金(Gold flash)

適用電線(Applicable wire):
AWG# 18~22

線皮外徑(Insulation O.D):
2.9~2.45 mm

包裝數量(Standard packing):
5000 PCS

材質(Material): 磷青銅[Phosphor bronze]



A-A Section

KSL-TG-18-LF
LEADFREE
G:GOLD

RoHS Compliant



PART NO. KSL-TG-18

DWG NO. KSL-TG-18

FILE NO.

CHECKED BY CY

DRAWING BY

TOLERANCES ARE
.X ± 0.2
.XX ±
.XXX ±
AWG

DESCRIP TION:

煜倫股份有限公司

UNIT / mm SCALE 1:1

PROJECTION

AREA	REVISIONS	HK	DATE
------	-----------	----	------