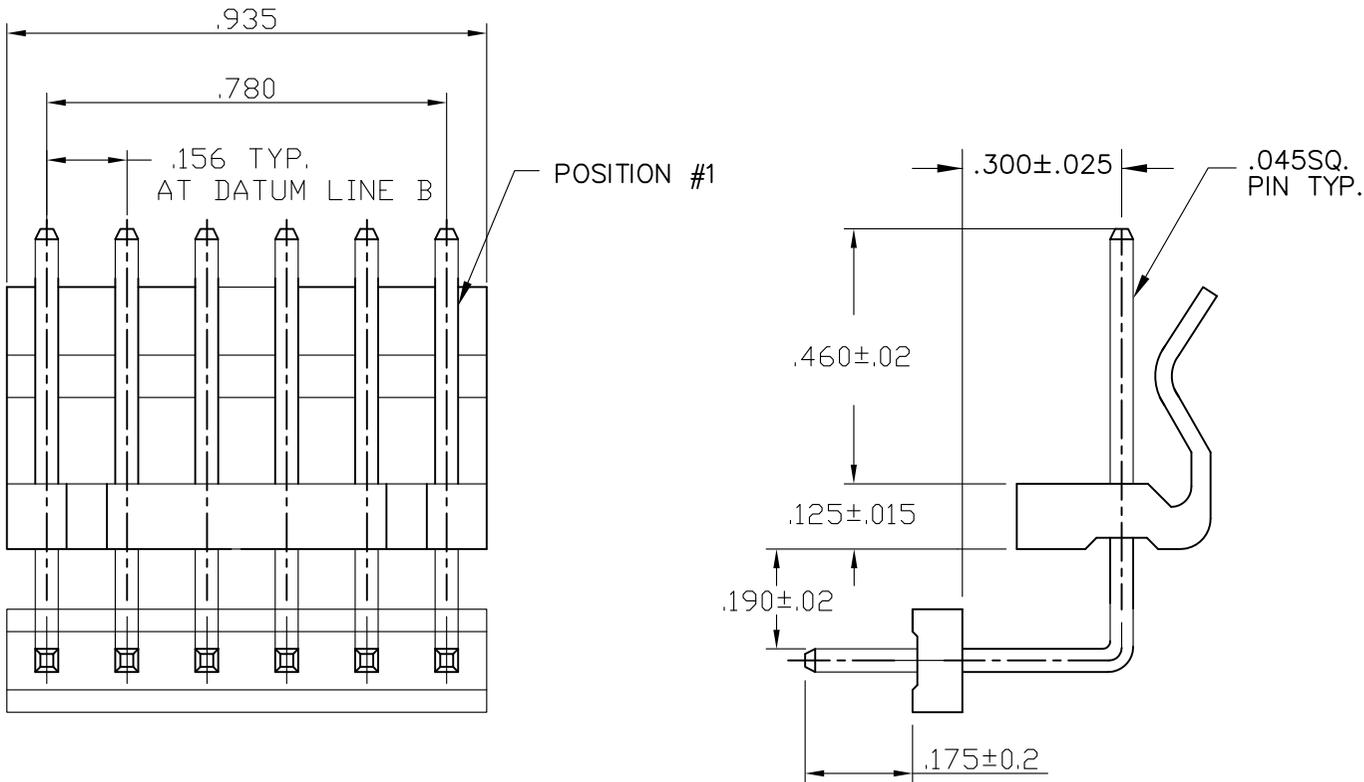


NOTES:

- 1. INSULATOR MATERIAL: NYLON 6/6 , UL 94V-2
COLOR: NATURAL
- 2. CONTACT MATERIAL: BRASS
- 3. PIN FINISH: .000150/.0003 BRITE TIN OVER



RoHS Compliant

TOLERANCES ARE

MORETHANALL
PCB CONNECTORS
Cable ASSEMBLIES

DRAWING BY CY

CHECKED BY GENIUS

UNIT / mm

SCALE 1 : 1

DATE

SIZE A4

X. ±
.X ±
.XX ±
.XXX ±
ANG ±

P PROJECTION

照片框

ORDER INFORMATION

KKS-RS-06-LF
SERIES | LEADFREE
| 06 WAY
| SPACER
| DIP 90°

DESCRIPTION: 3.96mm Wire-to-Board Header Dip 90° Type

煜倫股份有限公司

www.morethanall.com