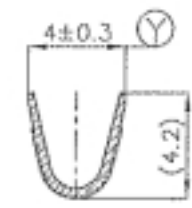
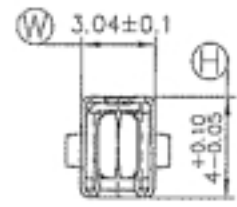
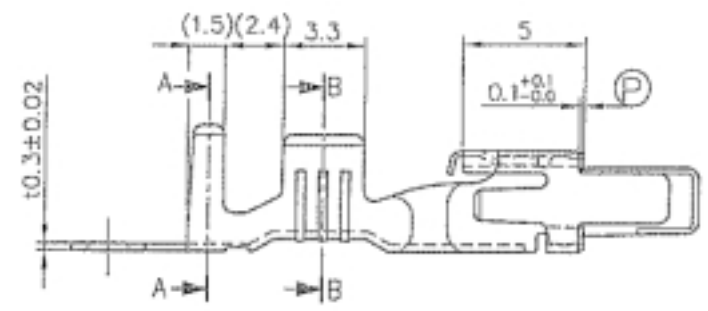


SEC. A-A



SEC. B-B



說明:
 1.預鍍錫膜厚40u"以上
 2.對手件:TAB=0.8
 插入力:1.3KG以下
 拉拔力:0.4KG以上
 六回拉力:0.2KG以上

NOTE:
 1.Pre-Tin Plated Thickness More Than 40u"
 2.Mating Part: TAB=0.8
 Inserted Force: Less Than 1.3KG
 Tensile Force: More Than 0.4KG
 The Six Time: More Than 0.2KG

JPT-FT-14-LF
 LEADFREE

RoHS Compliant

2	Body:Phosphor Bronze Spring:Stainless	Note 1	2.0mm ²
1	Body:Phosphor Bronze Spring:Stainless	Note 1	2.0mm ²
NO.	材料 Material	表面處理 Surface Treatment	線徑 Wire Range

MORETHANALL
 CONNECTORS
 ASSEMBLIES

煜倫股份有限公司

PART NO. JPT-FT-14
 DWG NO. JPT-FT-14
 FILE NO.
 UNIT / mm SCALE 1:1

CHECKED BY CY
 DRAWING BY
 PROJECTION

TOLERANCES ARE
 .X ± 0.2
 .XX ±
 .XXX ±
 AWG

DESCRIP TION:	
AREA	REVISIONS HK DATE