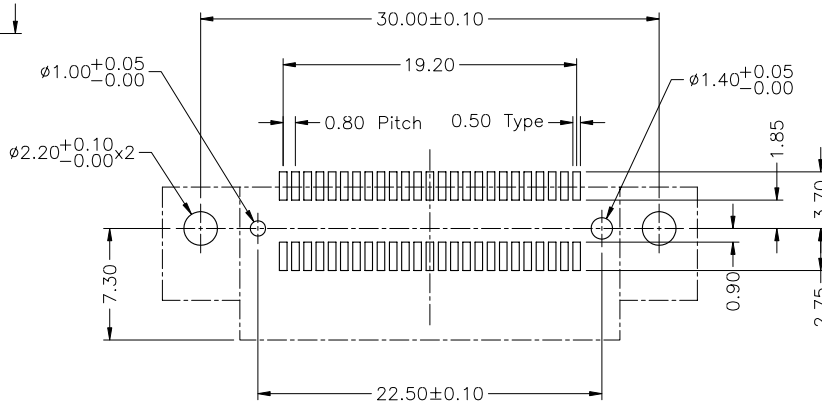
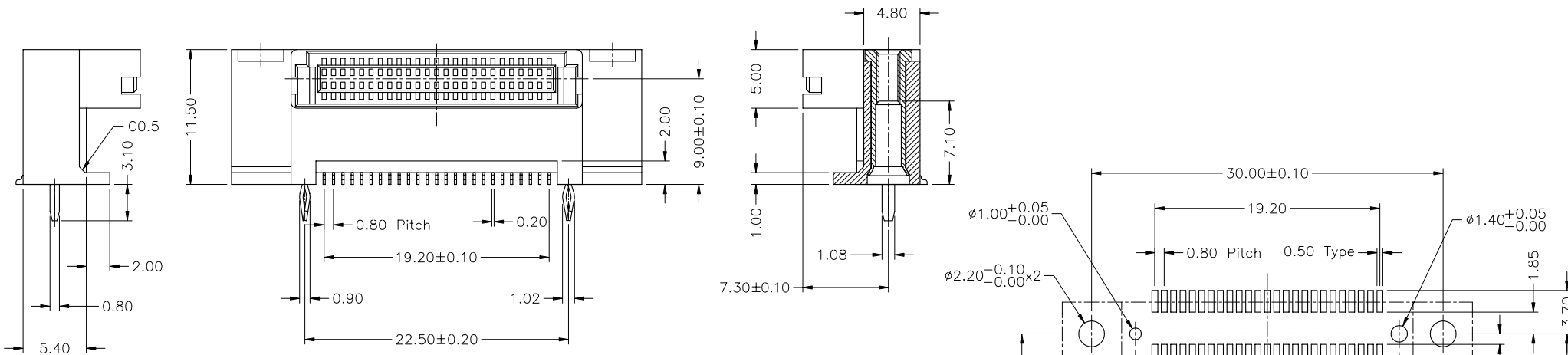


Environmental:
Operation Temperature: -40°C~+85°C



Recommended PCB Layout (Top View)
PCB Thickness=1.20~1.60

5	Screw (Nut)	2	Brass	Base plating Nickel over all	M2x0.4P
4	Board Lock	2	C5191RH	Tin plating over Nickel Base plating Nickel over all	t=0.3
3	Contact	50	C5191RH	Au plating at contact area Tin plating at solder tail	t=0.2
2	Partition	1	LCP E130i	---	UL94V-0,Black
1	Housing	1	LCP E130i	---	UL94V-0,Black
No.	Description	Qty.	Material	Finish	Remarks

MORETHANALL
CONNECTORS
ASSEMBLIES

PART NO. **JKX-SWV115E-050**

DWG NO. **JKX-SWV115E-050**

FILE NO.

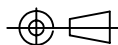
UNIT / mm

SCALE 1:1

CHECKED BY CY

DRAWING BY

PROJECTION



TOLERANCES ARE

.X ± 0.3

.XX ± 0.2

.XXX ± 0.1

AWG

DESCRIPTION:

**0.80 mm Pitch Board To Board
Right Angle 50 Pin SMT Type**

AREA

REVISIONS

HK

DATE

焯倫有限公司