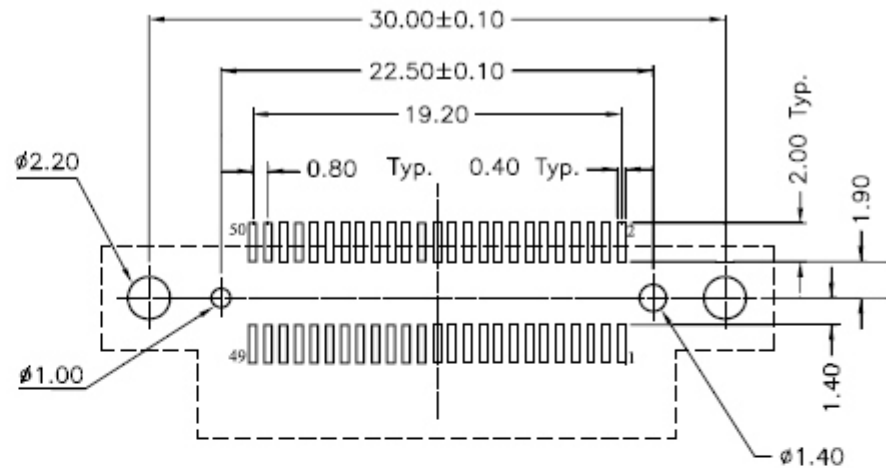
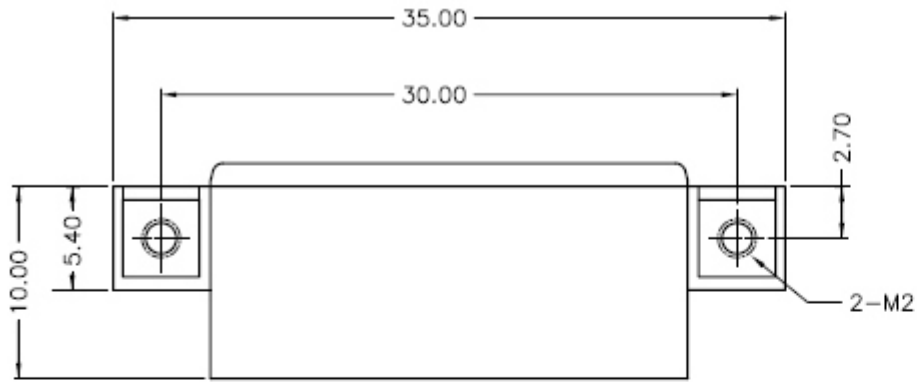
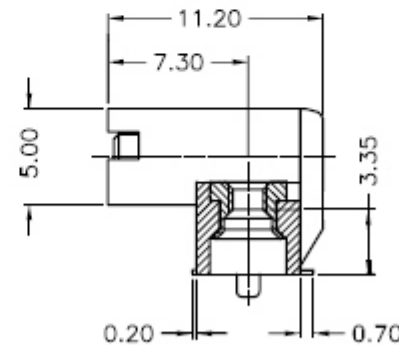
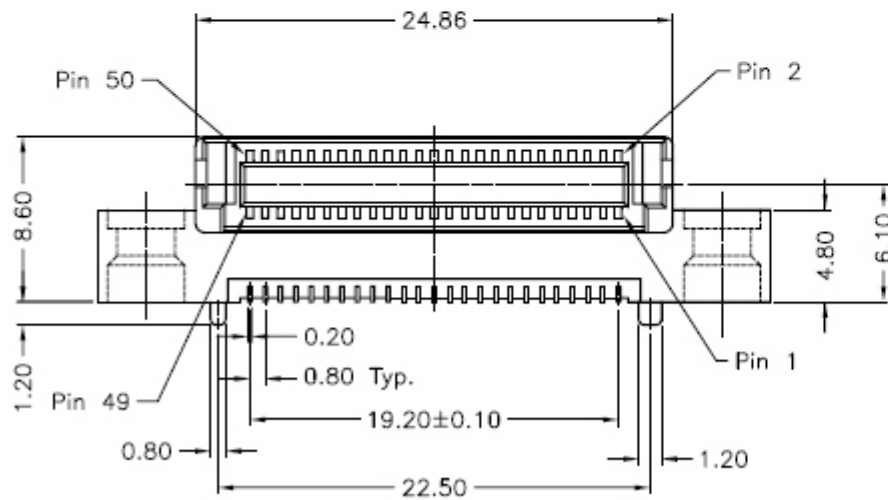


1 2 3 4 5 6 7 8 9 0

J
I
H
G
F
E
D
C
B
A



Recommended PCB Layout (Top View)



Environmental:
Operation Temperature: $-40^{\circ}\text{C} \sim +85^{\circ}\text{C}$



PART NO. **JKX-SW86E-050**

DWG NO. **JKX-SW86E-050**

FILE NO.

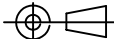
UNIT / mm

SCALE 1:1

CHECKED BY CY

DRAWING BY

PROJECTION



TOLERANCES ARE

.X ± 0.2
.XX ±
.XXX ±
AWG

DESCRIPTION:

AREA

REVISIONS

HK

DATE

焜倫股份有限公司