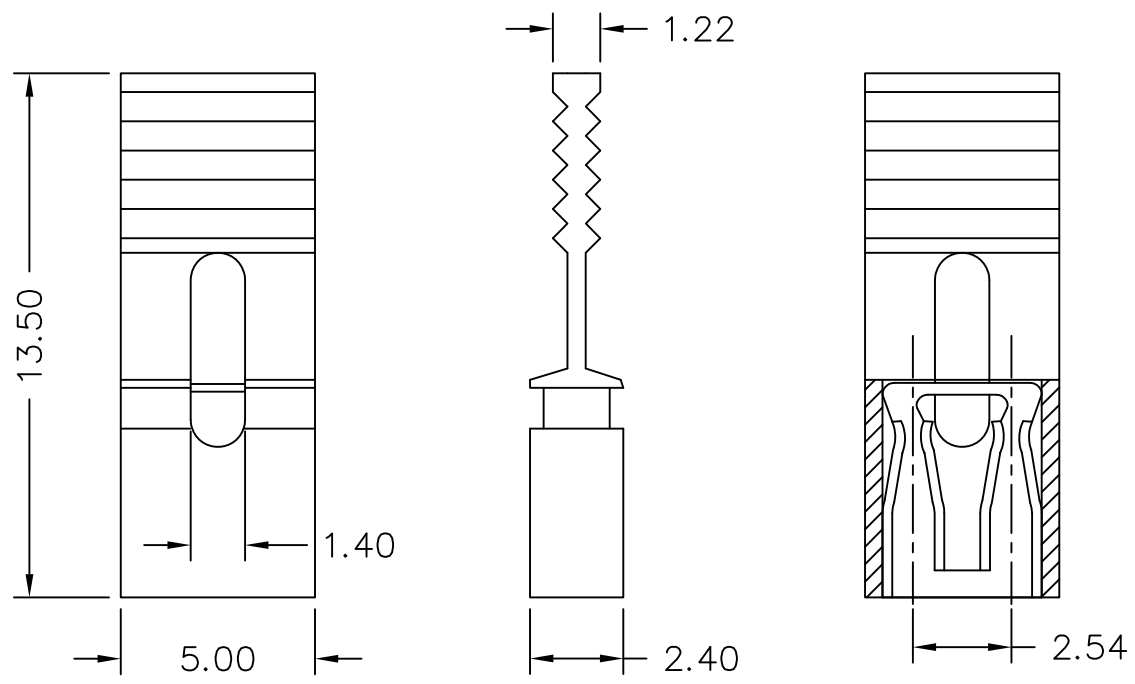
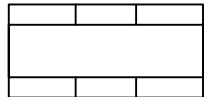


1 2 3 4 5 6 7 8 9 0

J
I
H
G
F
E
D
C
B
A



MATERIAL

Insulator : NYLON 66
Contact Pin : Brass

SPECIFICATION

Current Rate : 1 AMP
Insulation Resistance : 5000MΩMin. at DC 500V
Contact Resistance : 20mΩMax. at DC 100mA
Dielectric Voltage : 500V AC for one minute

J-HS30-06-LF
LEADFREE
S30: 30u"Gold flash
RoHS Compliant

	PART NO. J-HS30-06		TOLERANCES ARE .X ± .XX ± .XXX ± AWG	DESCRIPTION: MINI JUMPER 2.54mm HANDLE 13.5mm	
	DWG NO. J-HS30-06				
焯倫股份有限公司	FILE NO.		DRAWING BY		AREA REVISIONS HK DATE
	UNIT / mm	SCALE 1:1	PROJECTION		