



MATERIAL

Insulator : PBT+30% Glass fiber

Contact Pin : Brass

SPECIFICATION

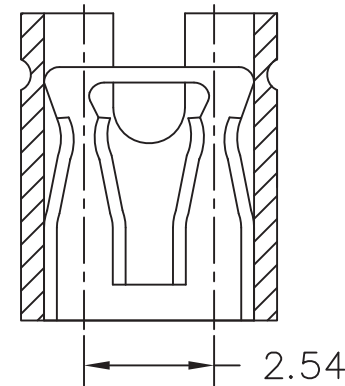
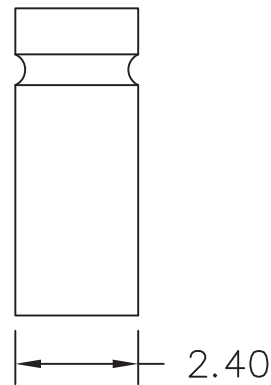
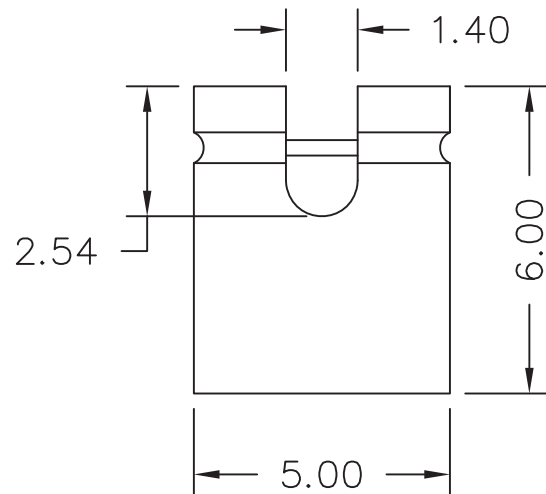
Current Rate : 3 AMP

Insulation Resistance : 5000MΩMin. at DC 500V

Contact Resistance : 20mΩMax. at DC 100mA

Dielectric Voltage : 1000V AC for one minute

Operation Temperature : -55°C to +105°C



RoHS Compliant

TOLERANCES ARE

MORETHANALL
PCB CONNECTORS
Cable ASSEMBLIES

DRAWING BY CY

X.±

CHECKED BY GENIUS

.X±

UNIT / mm

SCALE 1:1

.XX±

DATE

.XXX±

ANG±

照片框

ORDER INFORMATION

J-BGxx-06-LF
SERIES | LEADFREE
HIGH 6.0mm
G05:GOLD 5u"
G15:GOLD 15u"
OPEN

煜倫股份有限公司

www.morethanall.com

SIZE A4

PPOJECTION

DESCRIPTION: MINI JUMPER 2.54mm OPEN 6.0mm