

### MATERIAL

Insulator : PBT+30% Glass fiber

Contact Pin : Brass

### SPECIFICATION

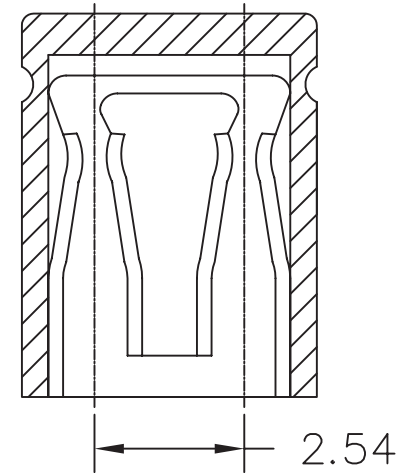
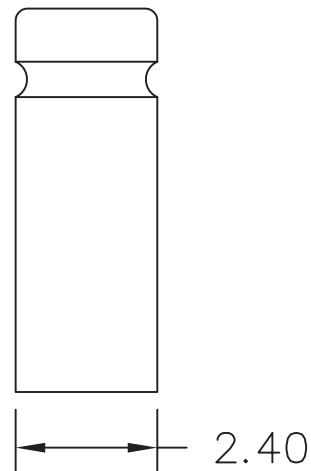
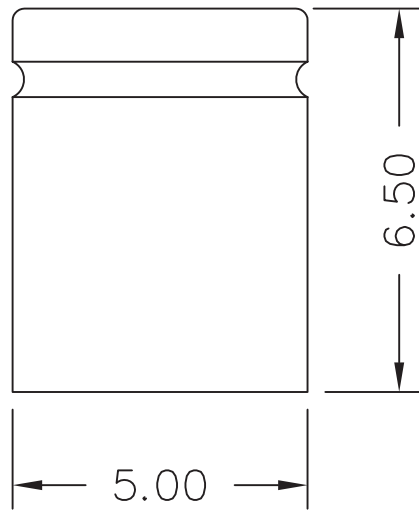
Current Rate : 3 AMP

Insulation Resistance : 5000MΩMin. at DC 500V

Contact Resistance : 20mΩMax. at DC 100mA

Dielectric Voltage : 1000V AC for one minute

Operation Temperature : -55°C to +105°C



**RoHS Compliant**

TOLERANCES ARE

**MORETHANALL**  
PCB CONNECTORS  
Cable ASSEMBLIES

DRAWING BY CY

CHECKED BY GENIUS

UNIT/mm

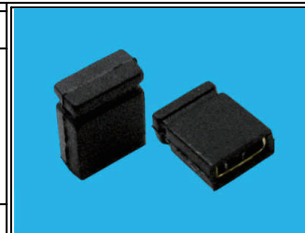
SCALE 1:1

DATE

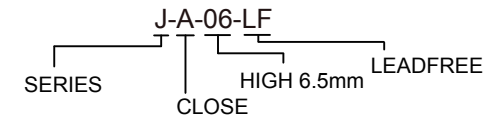
SIZE A4

X. ±  
.X ± 0.30  
.XX ± 0.20  
.XXX ±  
ANG ±

PJECTION



**ORDER INFORMATION**



DESCRIPTION: MINI JUMPER 2.54mm CLOSE 6.5mm

煜倫股份有限公司

www.morethanall.com