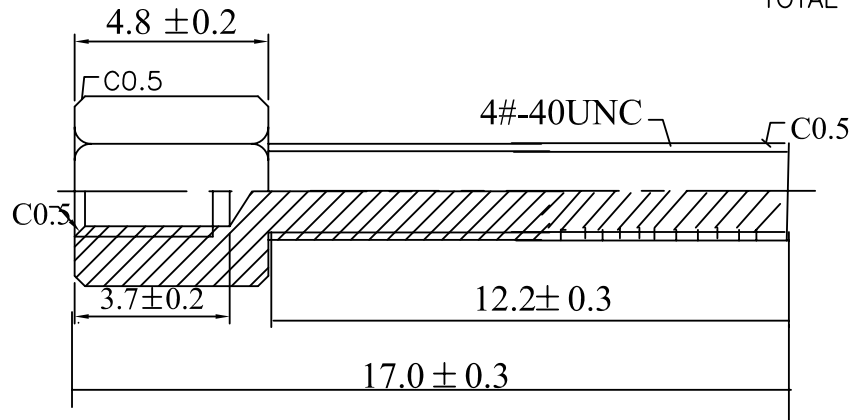
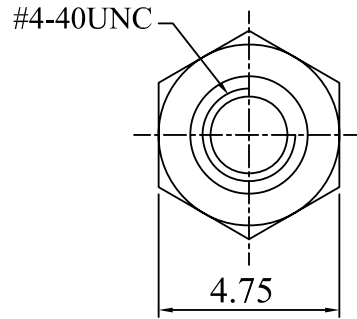
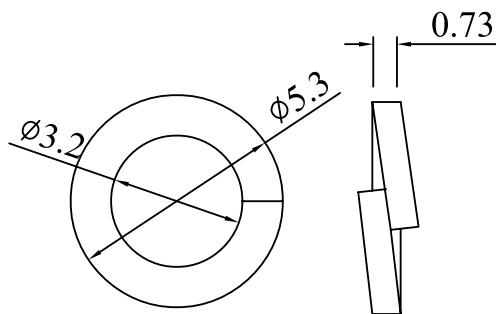


SPECIFICATION

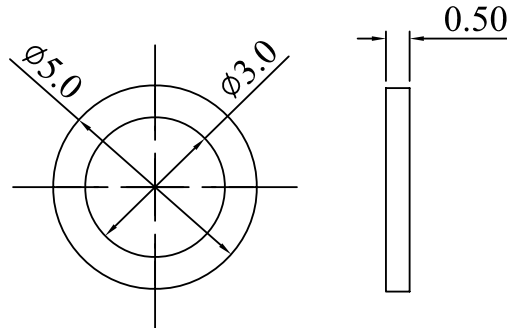
Screw: Brass, Nickel Plated
 Nut: Steel, Nickel Plated
 Washer: Steel, Nickel Plated
 Q'ty: Screw x2, Flat Washer x2, Split Washer x2 & Nut x2
 TOTAL 8PCS/Bag



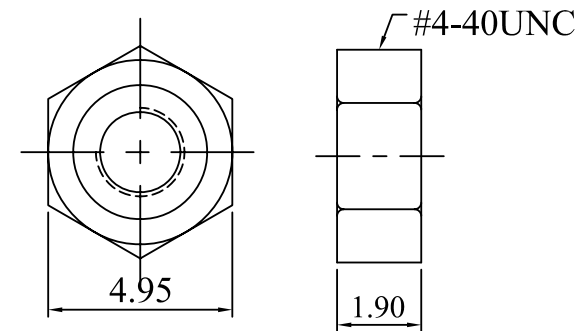
Screw x2



Split Washer x2



Flat Washer x2



Nut x 2

RoHS Compliant

TOLERANCES ARE

MORETHANALL
 PCB CONNECTORS
 Cable ASSEMBLIES

煜倫股份有限公司

www.morethanall.com

DRAWING BY CY

CHECKED BY GENIUS

UNIT / mm

SCALE 1 : 1

DATE

SIZE A4

PPOJECTION

X. ±
 .X ± 0.38
 .XX ± 0.25
 .XXX ±
 ANG ±



ORDER INFORMATION

HW023L17-1-LF

SERIES

LEADFREE

SINGLE PACKING

DESCRIPTION: