

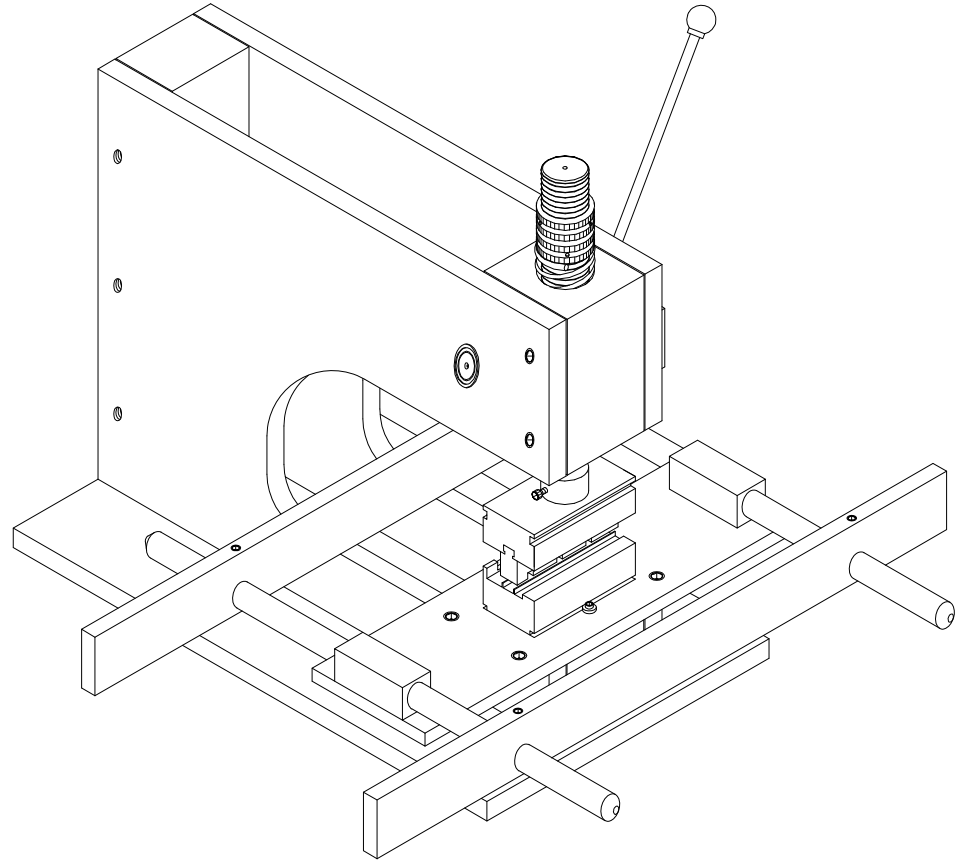
# Press Fit Hand Tool

- . No air or electric required
- . For the connectors from edge of P.C.B.  
up to 18cm depth

Machine Dimensions: 45 \* 55 \* 42cm  
(H \* W \* D)

Weight:50 KGS

HT-HM-C1-LF  
LEADFREE  
RoHS Compliant



PART NO. HT-HM-C1	CHECKED BY CY	TOLERANCES ARE .X ± 0.2 .XX ± .XXX ± AWG	DESCRIP TION:			
FILE NO.	PROJECTION					
UNIT / mm	SCALE 1:1					

煜倫股份有限公司