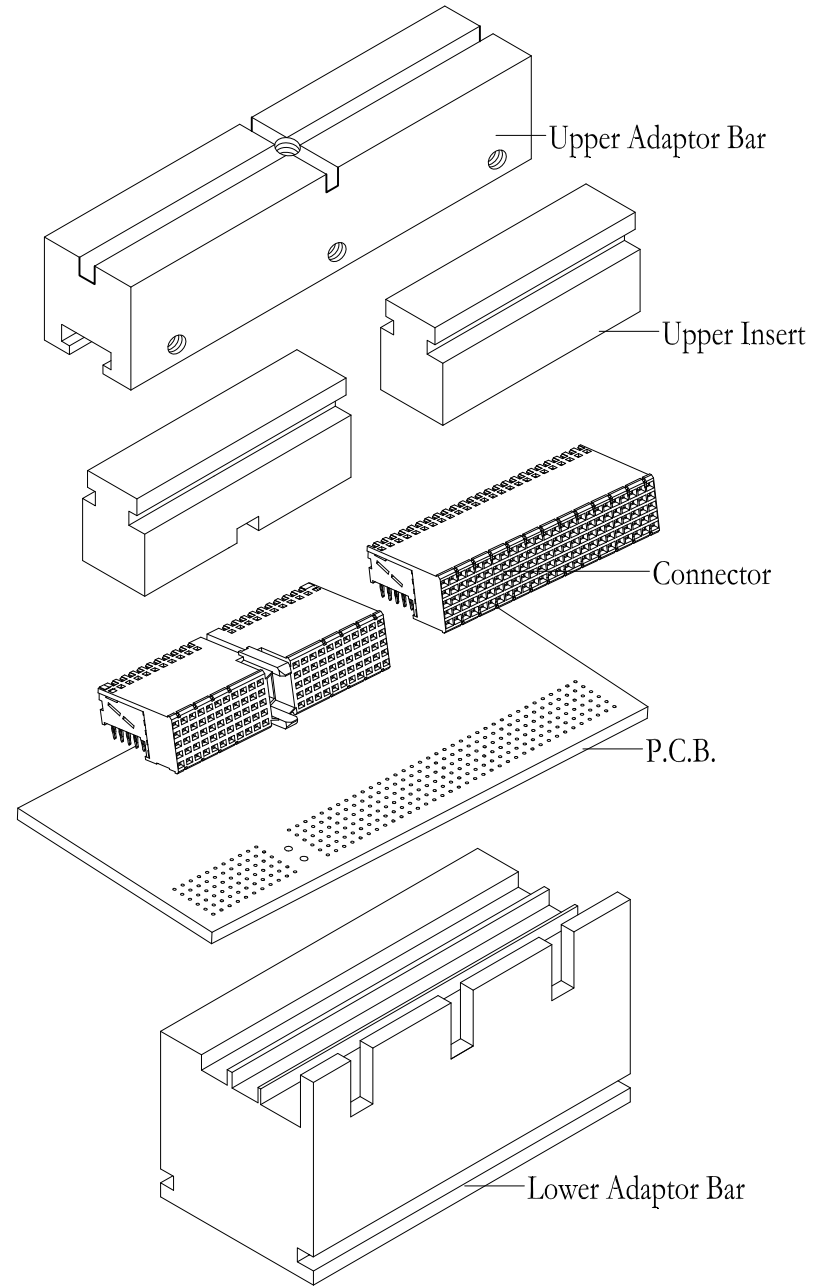


1 2 3 4 5 6 7 8 9 0

J
I
H
G
F
E
D
C
B
A

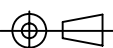
Press Fit Tooling Set For Hard Metric Connector

Female Connector Insertion



RoHS Compliant



PART NO. HT-HM-AF		CHECKED BY CY		TOLERANCES ARE		DESCRIP TION:					
DWG NO. HT-HM-AF		DRAWING BY		.X ± 0.2 .XX ± .XXX ± AWG							
FILE NO.		PROJECTION 		AREA		REVISIONS		HK		DATE	
UNIT / mm		SCALE 1:1									

煜倫股份有限公司