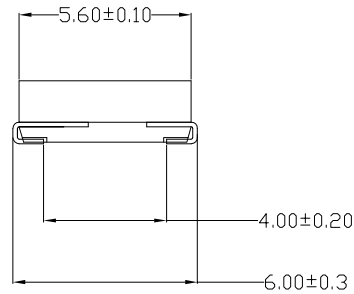
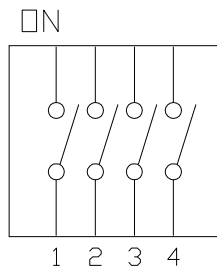
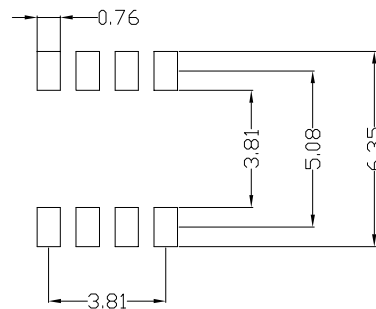


WIRING DIAGRAM



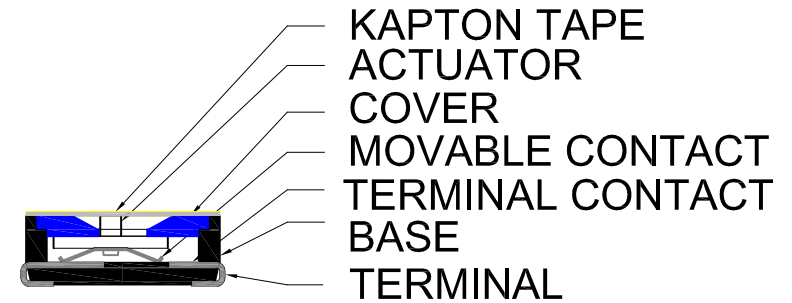
SMD SOLDERING PAD



MATERIALS:

PART	MATERIAL	FINISH
COVER	Thermoplastic	Black
BASE	Thermoplastic	Black
ACTUATOR	Thermoplastic	White
TERMINAL CONTACT	Copper Alloy	Gold Plated
MOVABLE CONTACT	Copper Alloy	Gold Plated
TERMINAL	Copper Alloy	Gold Plated
TAPE	Polyimide Film	Amber

STRUCTURE:



RoHS Compliant

TOLERANCES ARE

**MORETHANALL**  
PCB CONNECTORS  
Cable ASSEMBLIES

DRAWING BY CY

CHECKED BY GENIUS

UNIT / mm SCALE 1 : 1

DATE

SIZE A4

X, ±  
.X ± 0.30  
.XX ± 0.20  
.XXX ± 0.10  
ANG ±

PJECTION

照片框

ORDER INFORMATION

HSW-SV20J6GC-04-LF  
SERIES | | | | | T LEADFREE  
| | | | | 04 WAY  
MYLAR  
GOLD  
6.0mm  
FEMALE 180°SMT | | | | | J TYPE  
HIGH 2.05mm

DESCRIPTION:

煜倫股份有限公司

www.morethanall.com