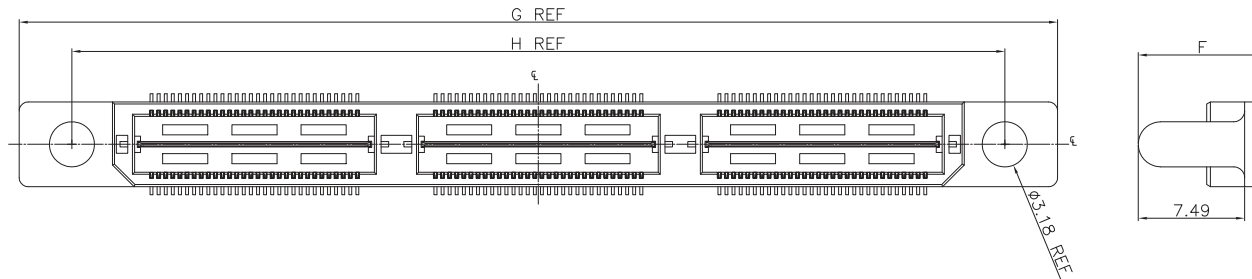
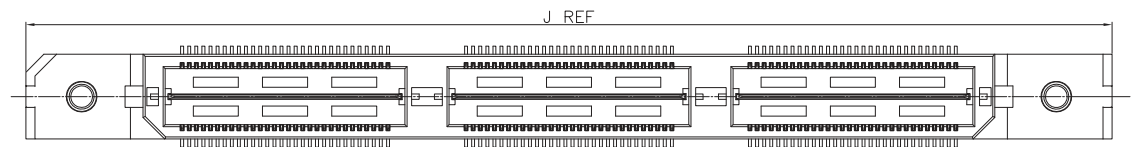


No OF POS	G	H
60	33.15	25.73
120	63.15	45.73
180	73.15	65.74
240	93.15	85.74
300	113.16	105.74

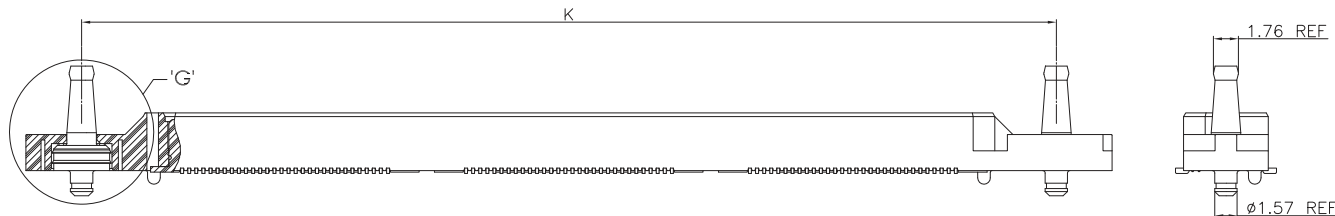
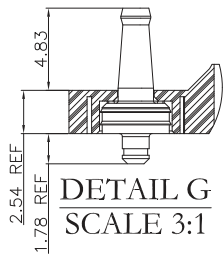


Code	F
1	9.220
2	12.220

-G(Guides Pin) DIFFERENT AS SHOWN, OTHERWISE SAME AS SHEET 1  
(FOR Code1 & Code 2 LEAD STYLE ONLY)



No OF POS	J	K
60	36.53	28.68
120	56.53	48.68
180	76.53	68.68
240	/	/
300	/	/



-P1(Up & Down Post and P) DIFFERENT AS SHOWN, OTHERWISE SAME AS SHEET 1  
(FOR Code 1 LEAD STYLE ONLY)

(Not Available with -L(With Lock),-G(Guides Pin)

(Not Available ON -240 & -300 PIN Options)

**RoHS Compliant**

TOLERANCES ARE

**MORETHANALL**  
PCB CONNECTORS  
Cable ASSEMBLIES  
**煜倫股份有限公司**

DRAWING BY CY

X. ± 0.50

CHECKED BY GENIUS

.X ± 0.25

UNIT / mm

SCALE 1 : 1

.XX ± 0.15

DATE

.XXX ±

ANG ±

SIZE A4

PJECTION

照片框

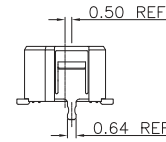
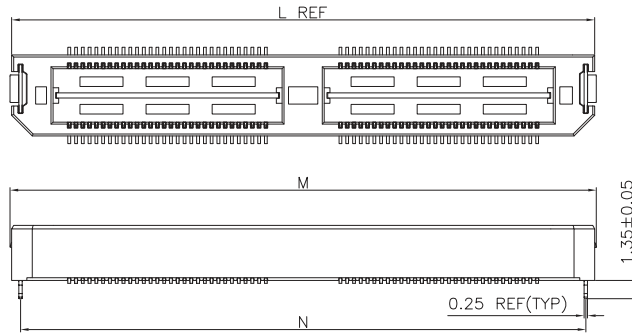
**ORDER INFORMATION**

HSNP0560-PxxxPF-xxx-LF

SERIES | | | | LEADFREE  
060-300WAY  
FLANGE  
POST  
MALE UNMATED HIGH  
040:4.0mm HIGH  
140:14.0mm HIGH

DESCRIPTION:

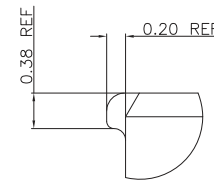
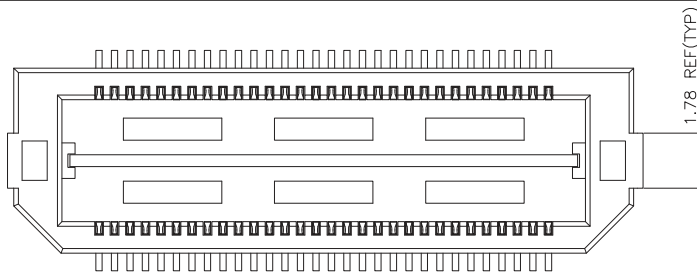
www.morethanall.com



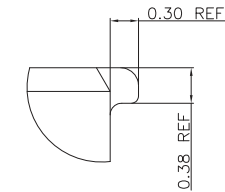
No OF POS	L	M	N
60	23.01	23.24	21.69
120	43.01	43.24	41.69
*180	63.02	63.25	61.70
240	/	/	/
300	/	/	/

\*=PROPOSAL ONLY

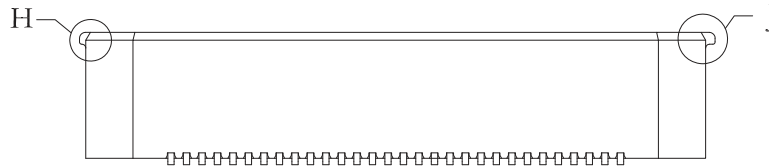
-L1(With Lock) DIFFERENT AS SHOWN, OTHERWISE SAME AS SHEET 1  
 (FOR Code 1 LEAD STYLE ONLY)  
 (Not Available with -L(With Lock),-G(GuidesPin),-F(Friction lock),or-P1(Up and Down Post) Options)  
 (120 Pin MAX)



DETAIL "H"  
SCALE 12:1



DETAIL "J"  
SCALE 12:1



-F(Friction lock)  
 (DIFFERENT AS SHOWN, OTHERWISE SAME AS SHEET 1)  
 (Not Available with -G(Guides Pin) Options)

照片框

RoHS Compliant

TOLERANCES ARE

**MORETHANALL**  
 PCB CONNECTORS  
 Cable ASSEMBLIES

煜倫股份有限公司

www.morethanall.com

DRAWING BY CY

CHECKED BY GENIUS

UNIT / mm SCALE 1 : 1

DATE

SIZE A4

X. ± 0.50

.X ± 0.25

.XX ± 0.15

.XXX ±

ANG ±

PJECTION

ORDER INFORMATION

HSNP0560-PxxxPF-xxx-LF

SERIES

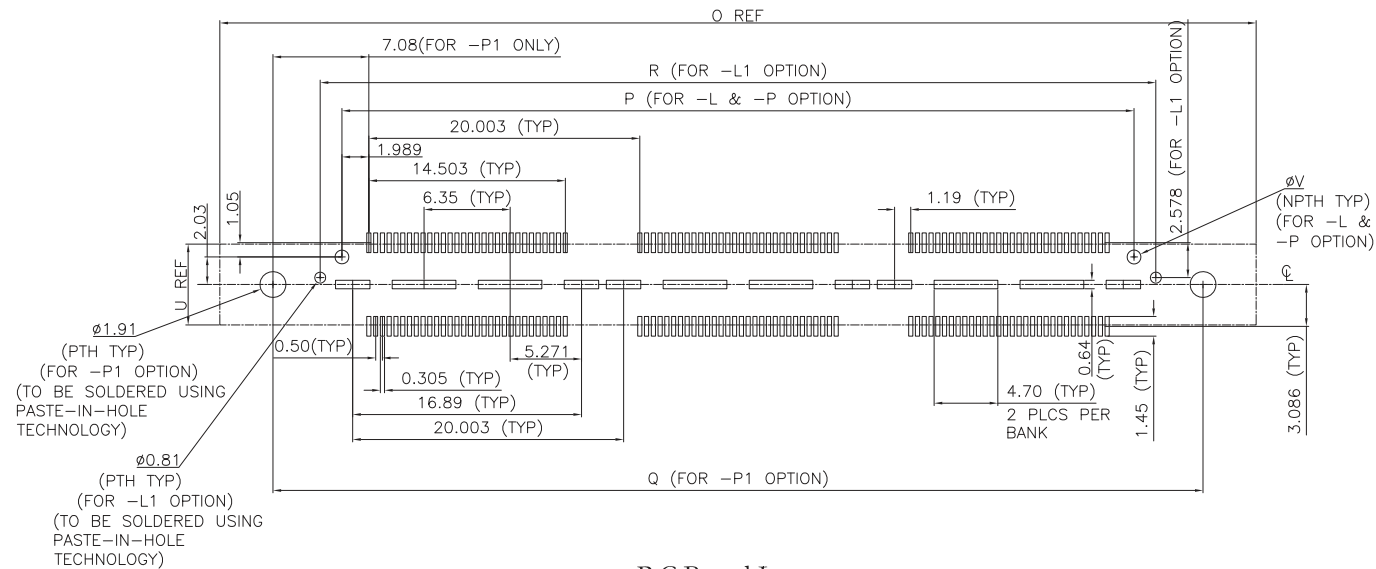
LEADFREE  
 060~300WAY  
 FLANGE  
 POST  
 UNMATED HIGH  
 040:4.0mm HIGH  
 140:14.0mm HIGH

MALE

DESCRIPTION:

TABLE 11	
Code	U
-01,-02	5.97
-03 THRU -10	6.73

TABLE 12	
OPTION	V
-L	1.19
-P	1.02



P.C.Board Layout  
(Tolerance:±0.05)

No OF POS	TABLE 10							
	O					P	Q	R
	-L & -P	-F	-G	-P1	-L1	-L & -P	-P1	-L1
60	20.02	20.52	33.15	36.53	23.01	18.48	28.68	21.69
120	40.02	40.53	53.15	56.53	43.01	38.48	48.68	41.69
180	60.08	60.53	73.15	76.53	63.02	58.48	68.68	61.70
240	80.09	80.53	93.15	/	8302	78.49	/	81.70
300	100.08	100.53	113.16	/	103.02	98.49	/	101.70

**MORETHANALL**  
PCB CONNECTORS  
Cable ASSEMBLIES

煜倫股份有限公司

www.morethanall.com

RoHS Compliant

DRAWING BY CY

CHECKED BY GENIUS

UNIT / mm SCALE 1 : 1

DATE

SIZE A4

TOLERANCES ARE

X. ± 0.50

.X ± 0.25

.XX ± 0.15

.XXX ±

ANG ±

PJECTION

照片框

ORDER INFORMATION

HSNP0560-PxxxPF-xxx-LF

SERIES | | | | LEADFREE  
060-300WAY  
FLANGE  
POST  
MALE UNMATED HIGH  
040:4.0mm HIGH  
140:14.0mm HIGH

DESCRIPTION: