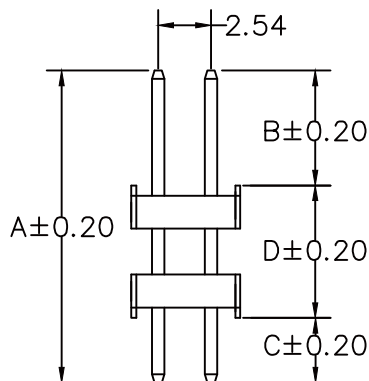
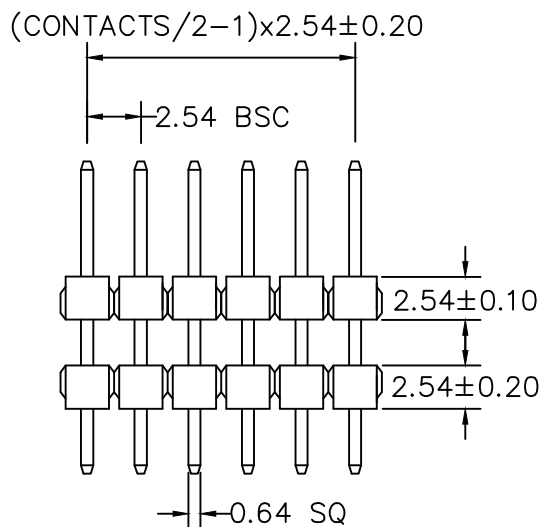


RECOMMENDED P.C.B LAYOUT



A: 24.10 mm B: 6.20 mm C: 3.00 mm D: 14.90

**MATERIAL**  
 HOUSING : THERMOPLASTIC UL94V-0  
 CONTACT : COPPER ALLOYS

**SPECIFICATION**  
 CURRENT: 3A  
 OPERATING TEMPERATURE: -55°C TO +105°C  
 CONTACT RESISTANCE : 20 MILLIOHMS MAX  
 INSULATION RESISTANCE : 1000 MEGAOHMS MIN  
 WITHSTANDING VOLTAGE : AC 1000V RMS

CONTACTS	
2X21	2X21
2X2	2X22
2X3	2X23
2X4	2X24
2X5	2X25
2X6	2X26
2X7	2X27
2X8	2X28
2X9	2X29
2X10	2X30
2X11	2X31
2X12	2X32
2X13	2X33
2X14	2X34
2X15	2X35
2X16	2X36
2X17	2X37
2X18	2X38
2X19	2X39
2X20	2X40

**RoHS Compliant**

TOLERANCES ARE

**MORETHANALL**  
 PCB CONNECTORS  
 Cable ASSEMBLIES

DRAWING BY CY

CHECKED BY GENIUS

UNIT / mm

SCALE 1:1

DATE

SIZE A4

PPOJECTION

X.±  
 .X±  
 .XX±  
 .XXX±  
 ANG±

照片框

**ORDER INFORMATION**

HSB-D2416230-2Xxx-LF  
 SERIES | LEADFREE  
 2X02:04WAY  
 2X40:80WAY  
 DIP 3.0mm  
 CONTACT 6.2mm  
 TOTAL 24.1mm  
 DIP180°

DESCRIPTION:

煜倫股份有限公司

www.morethanall.com