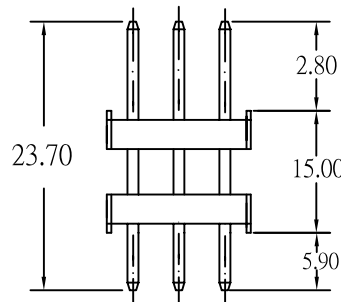
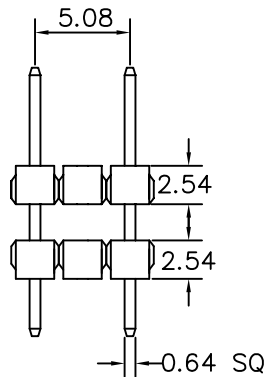


RECOMMENDED P.C.B LAYOUT



**MATERIAL**

HOUSING : THERMOPLASTIC UL94V-0

CONTACT : COPPER ALLOYS

**SPECIFICATION**

CURRENT: 3A

OPERATING TEMPERATURE: -55°C TO +105°C

CONTACT RESISTANCE : 20 MILLIOHMS MAX

INSULATION RESISTANCE : 1000 MEGAOHMS MIN

WITHSTANDING VOLTAGE: AC 1000V RMS

**RoHS Compliant**

TOLERANCES ARE

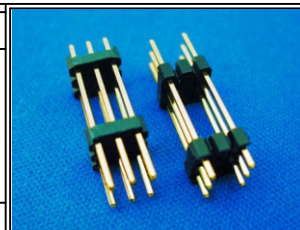


煜倫股份有限公司

www.morethanall.com

DRAWING BY CY	
CHECKED BY GENIUS	
UNIT / mm	SCALE 1:1
DATE	
SIZE A4	PPOJECTION

X. ±
.X ±
.XX ±
.XXX ±
ANG ±



**ORDER INFORMATION**

HSB-D237059028-3X03EE-LF				
SERIES				LEADFREE
DIP 180°			09 WAY	EMPTY EVEN PIN
		DIP 2.8mm		
		DIP 5.9mm		
		TOTAL LENGTH 23.7mm		

DESCRIPTION: