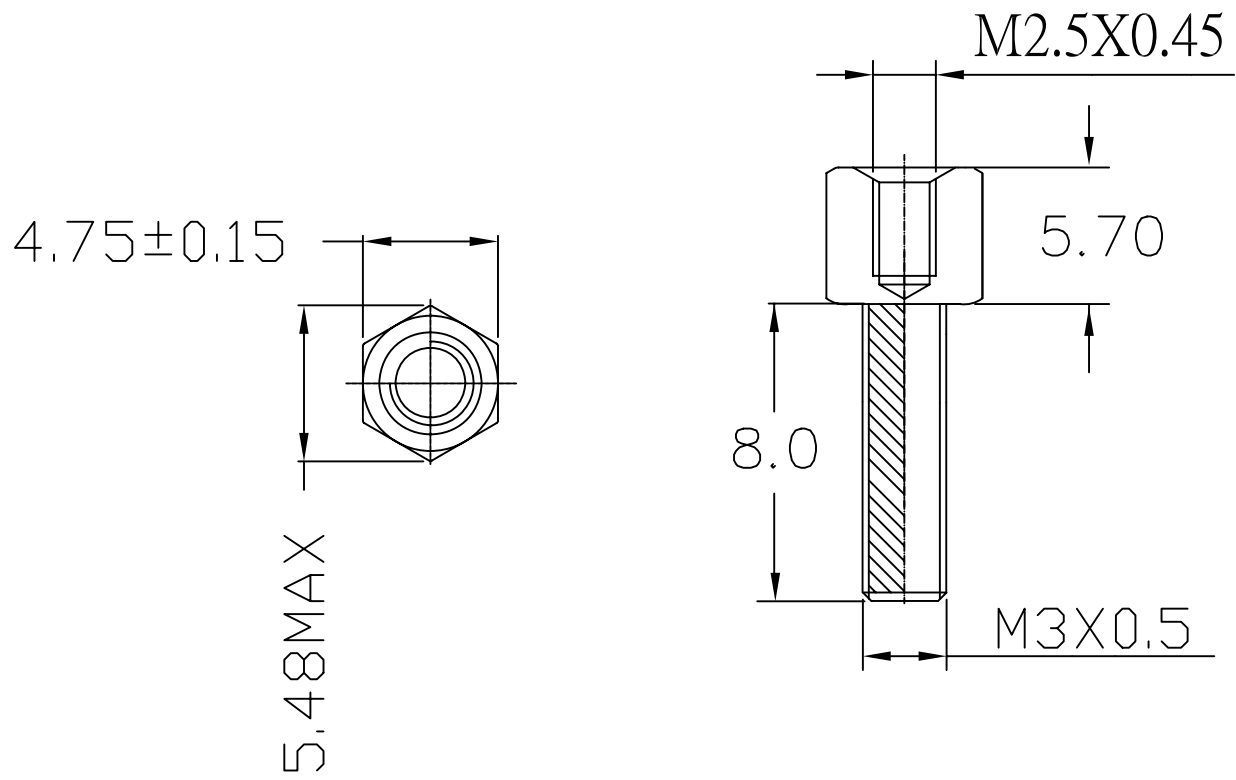


1 2 3 4 5 6 7 8 9 0

J
I
H
G
F
E
D
C
B
A



NOTES:
 MATERIAL: S.S.T 303 OR BRASS PLATED WITH TIN
 OR ANY OTHER STANDARD MATERIAL



PART NO. HS-M25M3-137

DWG NO. HS-M25M3-137

CHECKED BY CY

TOLERANCES ARE

DESCRIPTION:

FILE NO.

DRAWING BY

.X ± 0.2
.XX ±
.XXX ±
AWG

AREA

REVISIONS

HK

DATE

煜倫股份有限公司

UNIT / mm

SCALE 1:1

PROJECTION