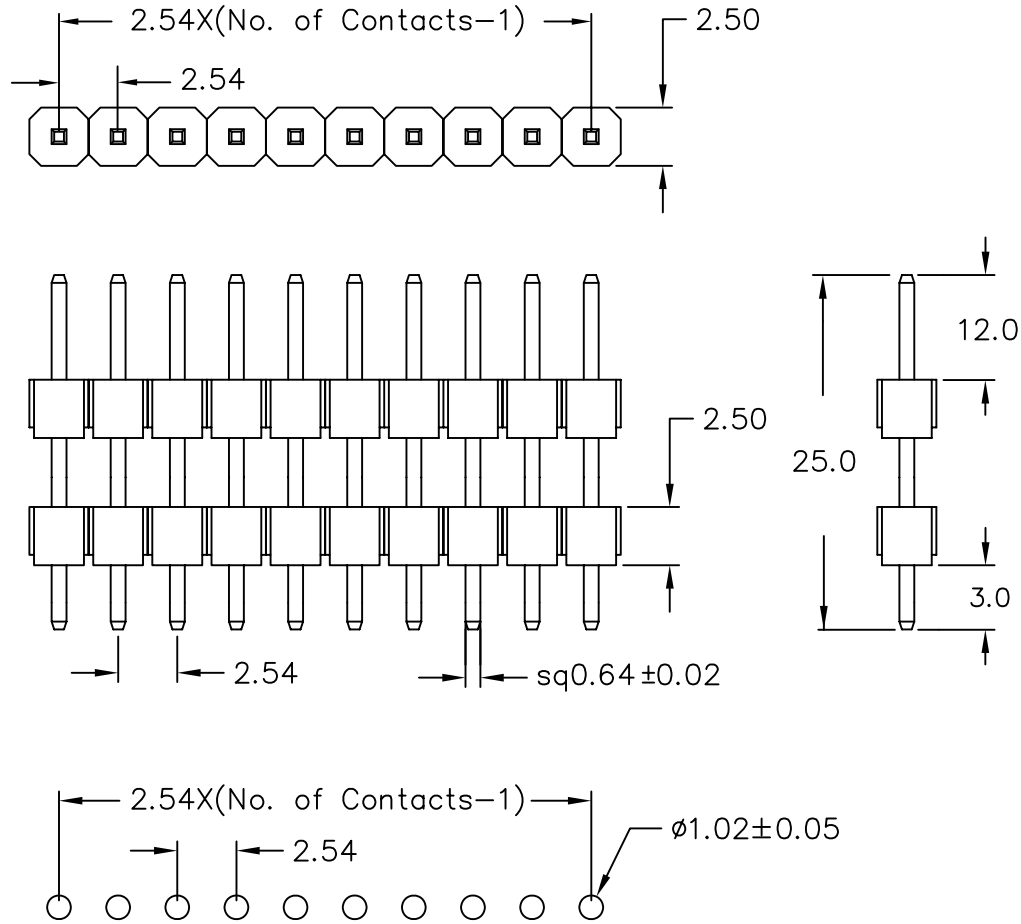


MATERIAL

Insulator : 30% Glass fiber PBT
 Contact Pin : Brass

SPECIFICATION

Current Rate : 3 AMP
 Insulation Resistance : 5000MΩMin. at DC 500V
 Contact Resistance : 20mΩMax. at DC 100mA
 Dielectric Voltage : AC 500V for one minute
 Operation Temperature : -40°C to + 105°C



HS-D25012030-1Xxx-LF
 LEADFREE

RoHS Compliant

Recommended P.C.B Layout



PART NO. HS-D25012030-1Xxx		APPROVED BY CY		TOLERANCES ARE .X ± 0.3 .XX ± 0.2 .XXX AWG	DESCRIPTION: PIN HEADER 2.54*2.54mm STRAIGHT STACK	AREA	REVISIONS	HK	DATE
DWG NO. HS-D25012030-1Xxx		DRAWING BY							
FILE NO.		PROJECTION							
UNIT / mm	SCALE 1:1								

煜倫股份有限公司