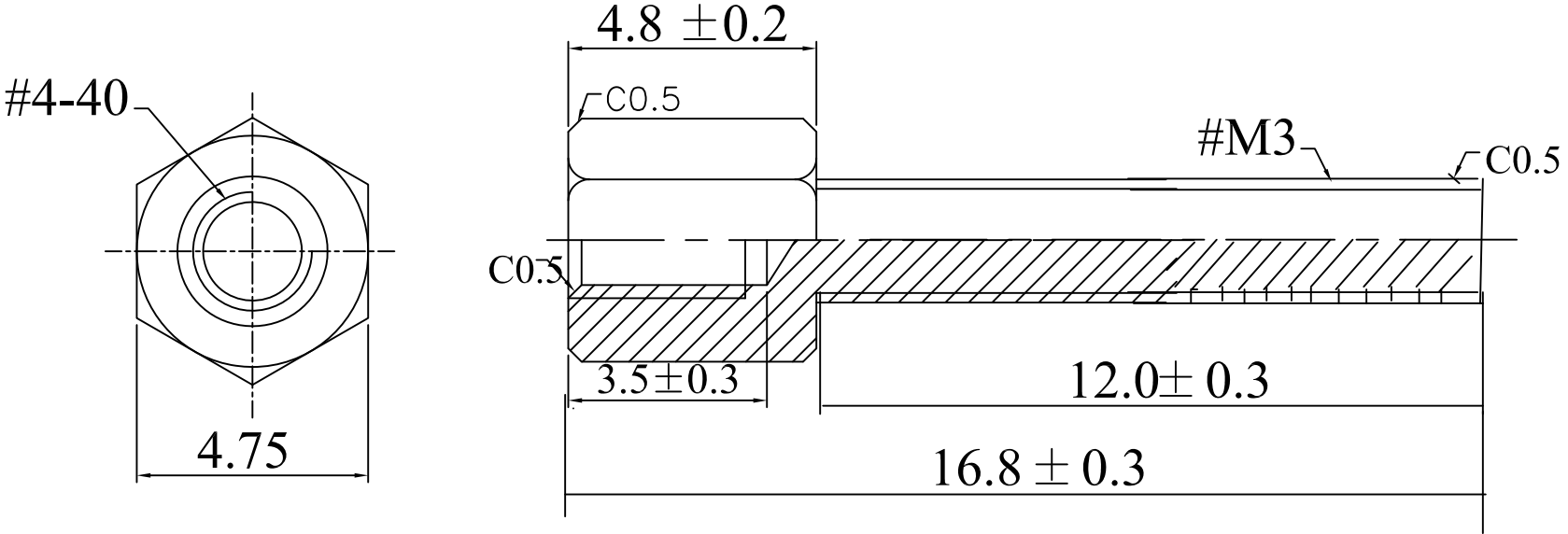


SPECIFICATION

Material: Brass, Nickel Plated
RoHS Compliant



RoHS Compliant

TOLERANCES ARE

MORETHANALL
PCB CONNECTORS
Cable ASSEMBLIES
煜倫股份有限公司
www.morethanall.com

DRAWING BY CY	
CHECKED BY GENIUS	
UNIT / mm	SCALE 1 : 1
DATE	
SIZE A4	PPOJECTION

X. ±
.X ±
.XX ±
.XXX ±
ANG ±



ORDER INFORMATION

HS-16-U4M3-LF
SERIES | LEADFREE
#4-40+#M3
16.8mm LONG

DESCRIPTION: R-4.75x16.8 (4.8+12)